

Panel Track Shades

SLIDING PANEL SYSTEM

Cord Control

Wand Control



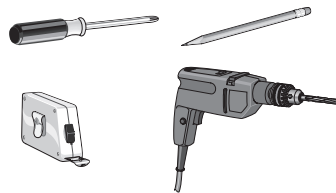
Installation & Care Instructions

152703B
8/29/2016

GETTING STARTED

A few simple tools are required:

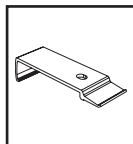
- Measuring tape
- Power drill, drill bits
- ¼" Hex head and/or Phillips driver bit
- Flat head screwdriver (used only to remove track)
- Pencil



Additional fasteners other than those sent with your shade may be required depending on the mounting surface.

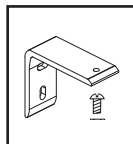
Wallboard and plaster require the use of anchors such as expansion or toggle bolts. Brick, tile or stone need special plugs and drill bits. Remember to always pre-drill holes in wood to avoid splitting.

Channel: PN:
2 CPT61302(W/G)
3 CPT61303(W/G)
4 CPT61304(W/G)
5 CPT61305(W/G)



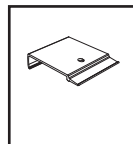
Mounting Bracket (inside and outside mount)

PN:
2 or 3 channel
CPT616(W or G)
4 or 5 channel
CPT617(W or G)



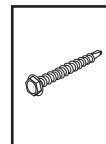
Outside Mount Bracket

Channel: PN:
2 CPT61402(W/G)
3 CPT61403(W/G)
4 CPT61404(W/G)
5 CPT61405(W/G)



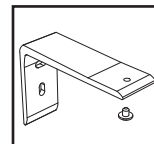
Connector Clip (for tracks over 100")

PN: 20201300



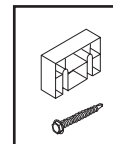
1 ½" Hex Head Bracket Screw

PN: CPT618W



Extension Bracket (optional)

PN: 2930230000



Spacer Block (optional)

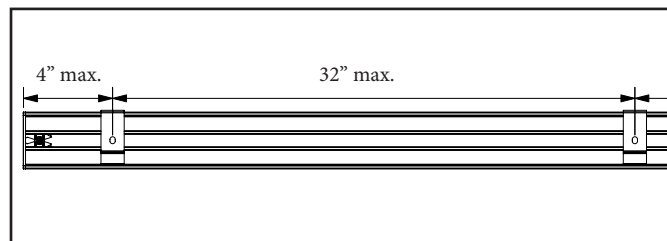
STEP 1: BRACKET INSTALLATION

Shades are shipped with the required number of brackets for proper installation. End brackets should be located approximately 4" from either end. Depending on the width of the shade, additional brackets may be necessary, evenly spaced between the two end brackets. The maximum space between any set of brackets should be no more than 32".

Shades 100" and over come with split tracks. Place end brackets 4" in from either end. Place a bracket 4" to each side of center. Space the remaining brackets no more than 32" apart.

Using the installation bracket as a template, measure to the edge of the bracket and mark the hole locations with a pencil for drilling.

Brackets must be in line and level. Shim brackets on inside mounts if necessary. The track must be level for the shade to operate properly.



Shade Width	# of Brackets
Up to 40"	2
>40" to 72"	3
>72" to 100"	4
>100" to 148"	6
>148" to 208"	8
>208 to 216"	10

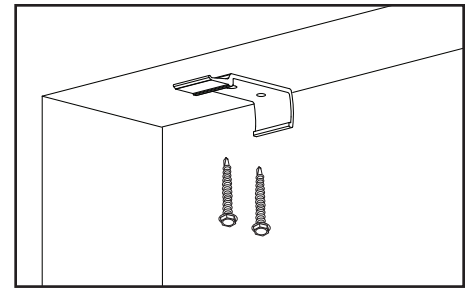
INSIDE MOUNT

A minimum of 1 ¼" is needed to shallow mount a two channel track.
A minimum of 1 7/16" is needed to shallow mount a three channel track.
A minimum of 2 1/16" is needed to shallow mount a four channel track.
A minimum of 2 ¼" is needed to shallow mount a five channel track.

A minimum of 1 9/16" is needed to fully recess a two channel track.
A minimum of 2" is needed to fully recess a three channel track.
A minimum of 2 11/16" is needed to fully recess a four channel track.
A minimum of 3 3/8" is needed to fully recess a five channel track.

Make sure that the brackets are level and aligned.

Attach using the screw(s) provided. Smaller brackets only need 1 screw. Use two screws for larger brackets.



Inside Mount
(smaller brackets only use one screw)

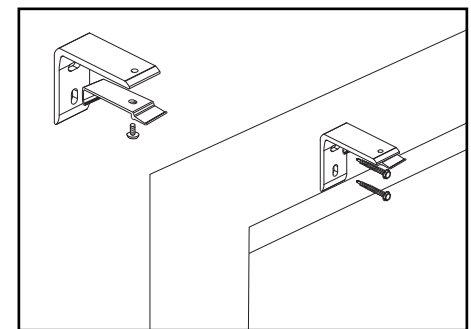
OUTSIDE MOUNT

The minimum mounting height for outside mounted shades is 2 1/16".

Attach the mounting bracket to the outside mount bracket with the screw provided.

Make sure that the bracket assemblies are level and aligned.

Attach using two screws. Swivel the mounting bracket out of the way to place the top screw.



Outside Mount
Minimum 2 1/16" surface

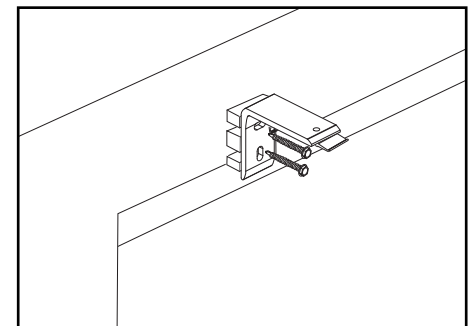
SPACER BLOCKS (OPTIONAL)

Each spacer block projects brackets 9/16" away from mounting surface.

Attach the mounting bracket to the outside mount bracket with the screw provided.

Make sure that the bracket assemblies are level and aligned.

Attach using two screws. Swivel the mounting bracket out of the way to place the top screw. Screws should be long enough to secure the bracket to the mounting surface.



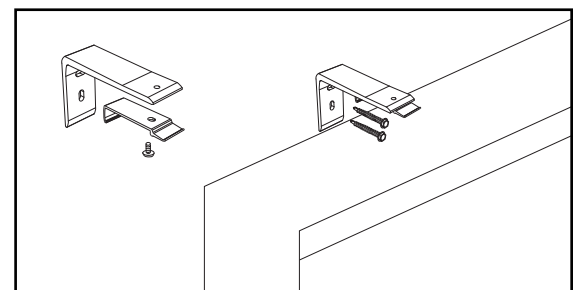
Outside Mount with Spacer Blocks

EXTENSION BRACKETS (OPTIONAL)

Optional extension brackets are used to project the back of the shading from the mounting surface. The amount of projection depends on the size of the track.

Attach the mounting bracket to the extension bracket with the screw provided. Swivel the mounting bracket out of the way to place the top screw.

Attach the bracket assembly to the mounting surface with two screws.

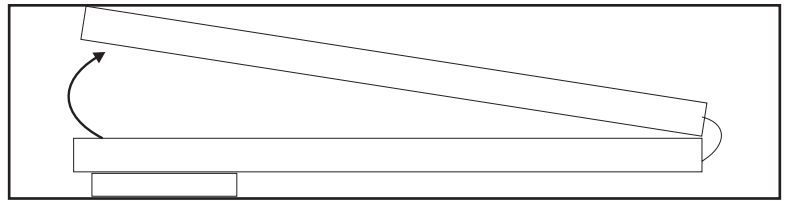


Outside Mount with Extension Brackets
Minimum 2 9/16" surface

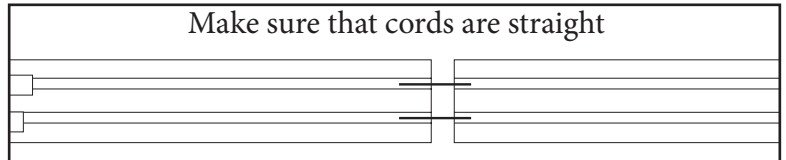
STEP 2: TRACK INSTALLATION

FOR SHADES 100" WIDE OR OVER

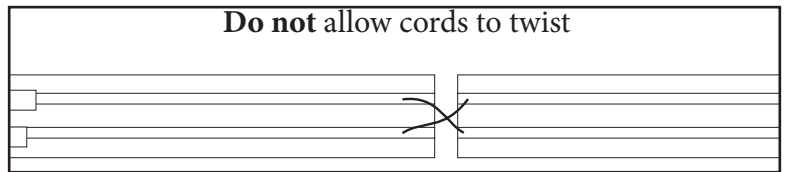
Unfold the track as shown, being careful not to twist the cords.



Make sure that cords are straight

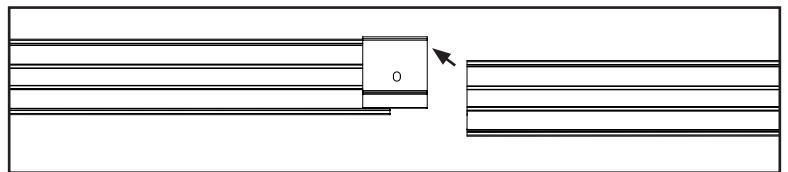


Do not allow cords to twist



Join the two sections of rail together with the connector clip.

Keep track level during install to prevent hangers from sliding.

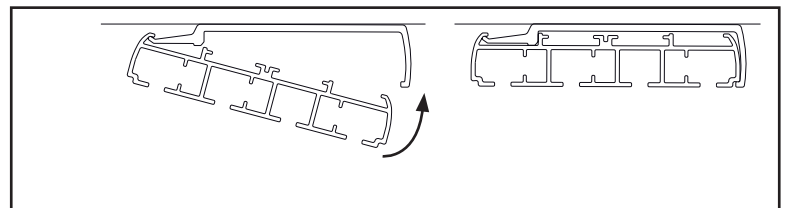


FOR ALL SHADES

Hold the track up near the brackets and insert the front clip of the bracket into the front groove of the rail.

Make sure the track is centered in the window opening.

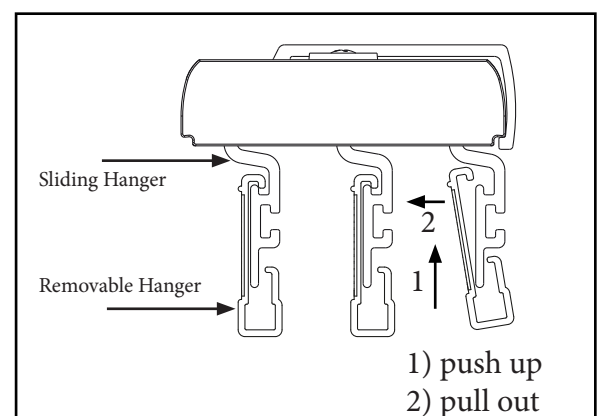
Push the rail back and up until the track clicks into place.



STEP 3: PANEL INSTALLATION

Use the cord or wand to spread the hangers out. It is possible for the back hanger(s) to slide out of place during installation of the track. Make sure that the back hanger (or hangers if split stack) are all the way to the outside edge. If not, move by hand until the magnet engages.

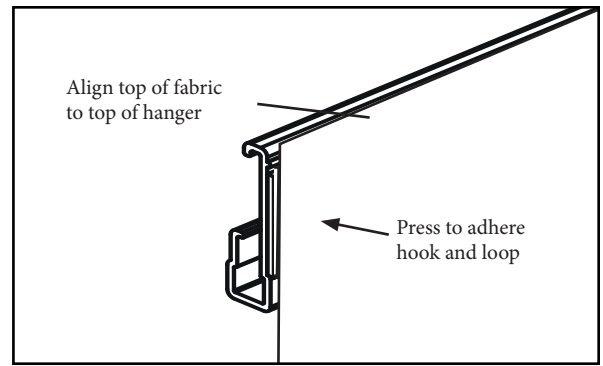
Remove the removable hangers by pushing them up and then away from the sliding hangers.



Place a removable hanger on a clean surface.

Align the top edge of one of the fabric panels to the top edge of the removable carrier, making sure that the ends are aligned.

Smooth the fabric out and then press down on the hook and loop to adhere.



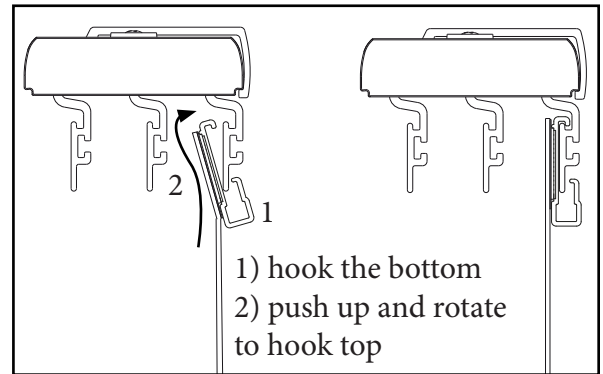
Each removable hanger is labeled with a number on the back and each sliding hanger is labeled with a matching number on the front. **Start with hanger #1.**

Attach the removable hanger with fabric to the sliding hanger by **inserting the bottom lip of the removable hanger first**, tilting the top part of the hanger away from the track.

Then gently push the removable hanger upward and tilt the top part onto the sliding hanger.

The end caps contain a spring that holds the pieces together.

Repeat for the remaining hangers, working from the back to the front.



CHILD SAFETY (CORD CONTROL ONLY)



WARNING

To avoid entanglement and strangulation, **keep cords out of reach of young children**. Move cribs and furniture away from shade cords.

TENSION DEVICE

The tension device reduces the hazards of strangulation and entanglement of young children by limiting access to the control cord.

The cord tensioner must be installed to make the shade fully operable.

Read the instructions in the mounting hardware packet prior to installing the tensioner.

SAFETY LABELS

In compliance with WCMA/ANSI safety standards, the warning labels on the bottom rail are designed to be permanent. **DO NOT** remove the permanent warning label on the bottom rail. This assures that future owners of this product will be aware of potential dangers associated with this shade.

OPERATION

CORD CONTROL

Pull down on the cord to open or close the panels.

WAND CONTROL

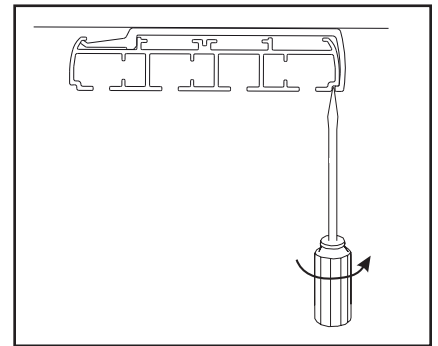
Pull the wand straight across the window opening to open or close the panels. Do not pull the wand toward the room.

REMOVING THE SHADE

Insert a small flat head screwdriver as shown.

Twist the screwdriver until the track disengages from the bracket.

As you release the brackets, support the track to keep it from falling.



CLEANING AND CARE

The shade fabric is easy to care for. Regular dusting with a feather duster or vacuum cleaner brush is recommended. Most stains can be blotted with a damp sponge and mild detergent. Before using anything stronger than mild detergent and lukewarm water, test an unobtrusive corner of the shade. If you have any questions, call your dealer for advice.

WINDOW CLEANING FUNCTION

Rear panels are held in place with a magnet. The rear panels may be moved by hand to gain access to the window for cleaning. When done, slide the panel back to the outside edge until the magnet engages.