

**How To Install, Operate and Maintain
Your Cordless Window Product (ENGLISH 2-6)**

**Cómo instalar, operar y mantener su persiana
para ventana sin cordeles (ESPAÑOL 7-11)**

**Installation, mode d'emploi, et entretien de
votre décoration de fenêtre sans cordons (FRANÇAIS 12-16)**



Congratulations on the purchase of your new cordless shade. Your shade has been custom made to your specifications and is one of the finest window treatments available. With careful installation and periodic cleaning, your shade will provide you with many years of trouble free service.

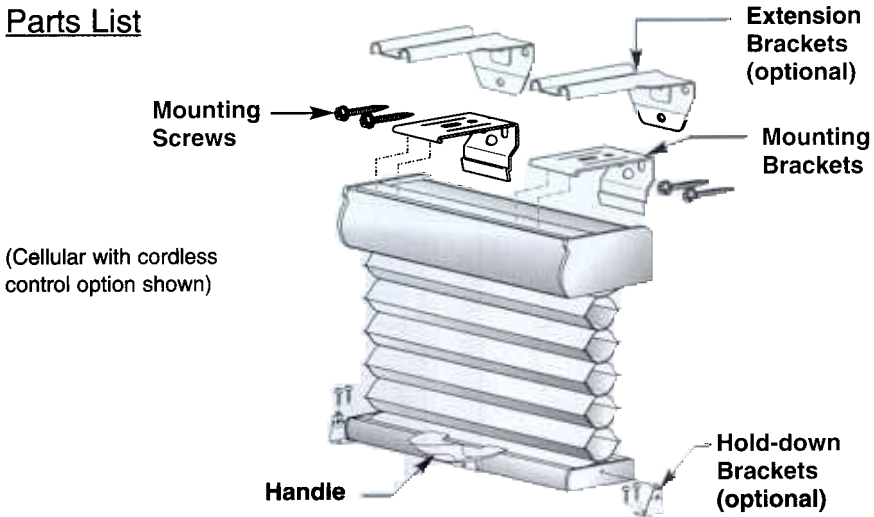
PLEASE READ THROUGH THESE INSTRUCTIONS BEFORE PROCEEDING.

STEP 1: GETTING STARTED

Remove the shade from the packaging.

Do not dispose of packaging until the shade is installed and operating to your satisfaction.

Parts List



TOOLS NEEDED



STEP 2: MOUNTING THE BRACKETS

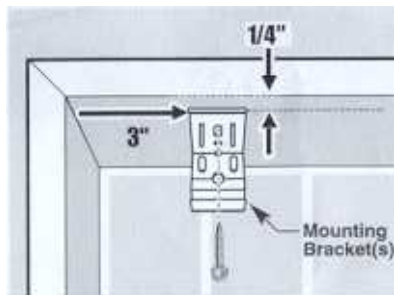
THE BRACKETS MUST BE SECURELY ATTACHED TO THE MOUNTING SURFACE.

The shade must be mounted clear of window cranks, trim work, etc. Shade **SHOULD NOT** be mounted where it will hit **ANY OBSTRUCTION** while being lowered.

2a - Inside Mount

Mount the brackets to the top of the window frame, 3" in from each outer edge and 1/4" back from the front edge of the frame for a flush look.

Additional brackets will be supplied with wider shades. Align and mount additional brackets spaced equally between outer brackets.

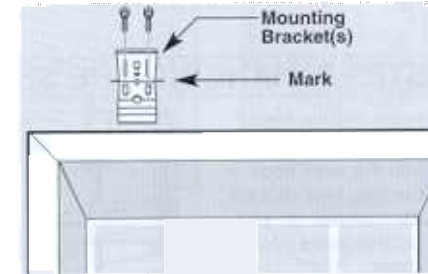
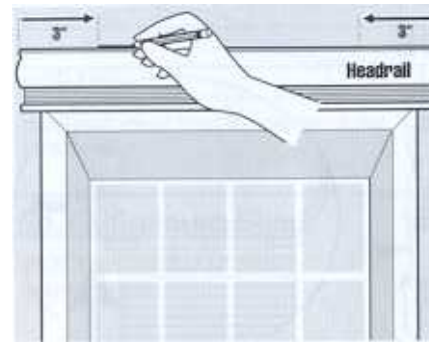


2b - Outside Mount

NOTE: IF EXTENSION BRACKETS ARE TO BE USED, GO TO STEP 2d.

Center and align the top rear of the shade headrail over the window opening at the desired height. Make a mark 3" in from each outer edge of the shade headrail.

Align the top rear of the mounting brackets with these marks. Use a level to make sure mounting brackets are at the same height.



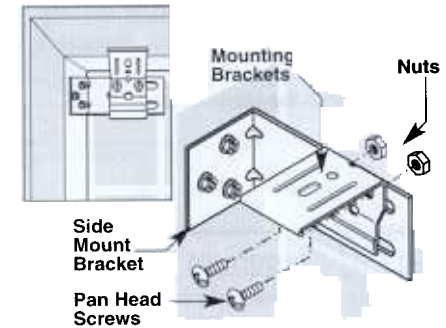
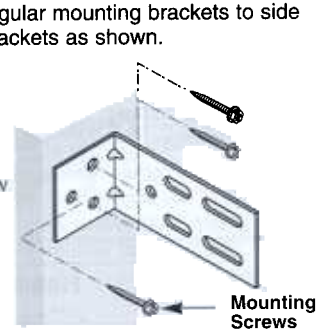
Additional brackets will be supplied with wider shades. Align and mount additional brackets spaced equally between outer brackets.

2c - Optional Side Mount

Attach regular mounting brackets to side mount brackets as shown.

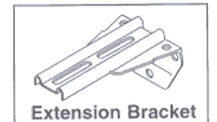
Attach mounting brackets to side mount brackets using pan head screw and nut.

Attach side mount brackets to window frame.



2d - Optional Extension Bracket

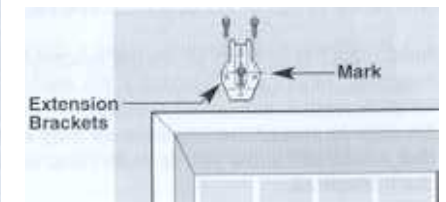
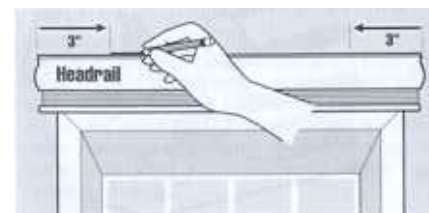
Extension brackets can be used to project the shade further into the room. (over window cranks, door knobs etc.)



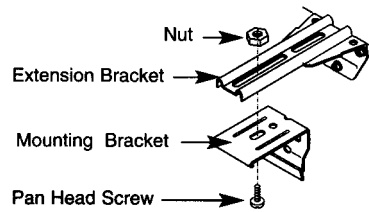
Center and align the top rear of the shade headrail over the window opening at the desired height. Make a mark 3" in from each outer edge of the shade headrail. Align the top rear of the extension brackets with these marks.

Use a level to make sure extension brackets are at the same height.

Additional brackets will be supplied with wider shades. Align and mount additional brackets spaced equally between outer brackets.

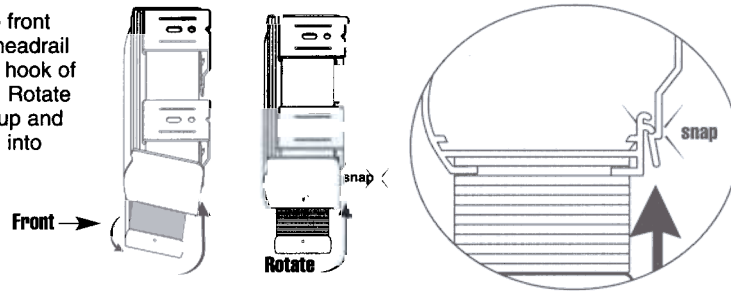


Attach the mounting brackets to the extension brackets using the pan head screw and nut.



STEP 3: HANGING THE SHADE

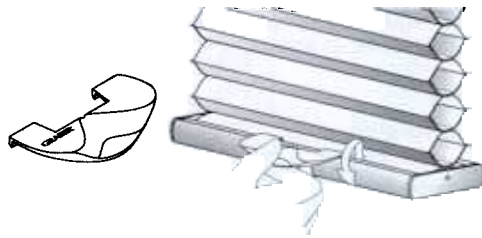
Hook the top front edge of the headrail into the front hook of the brackets. Rotate the headrail up and back to snap into place.



STEP 4: ATTACHING THE ACCESSORIES

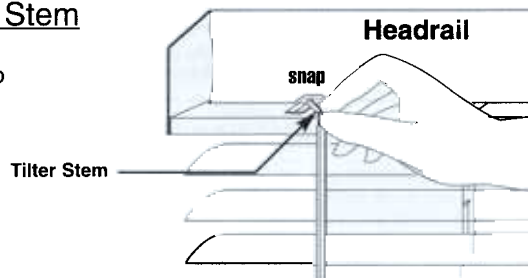
4a - Cordless Handle

Clip handle(s) onto center of bottomrail. Do not pinch the fabric or slat.



4b - 1" Aluminum Tilter Stem

Press the tilter stem into the round tilter hole with your hand, and snap into place.



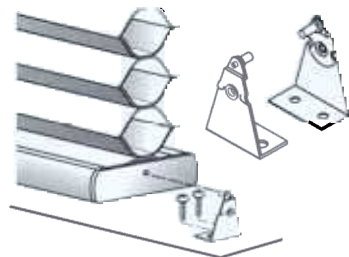
4c - Optional Hold Down Brackets

Hold down brackets are used to prevent the bottom of the shade from swaying.

To install hold down brackets, first fully extend the shade then press the pin of the bracket into the hole at the center of the bottomrail end caps.

Next, mark the location where the brackets will be mounted. Mount each bracket at the marked location using 2 screws per bracket.

Be sure to mount the brackets so they can flex which will allow you to insert and remove the bottomrail.



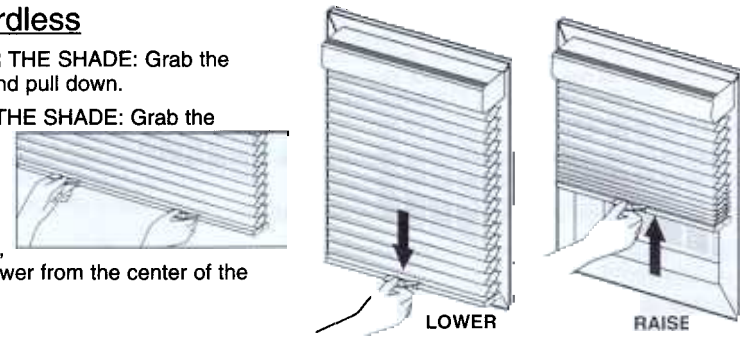
STEP 6: OPERATING THE SHADE

5a - Cordless

TO LOWER THE SHADE: Grab the handle(s) and pull down.

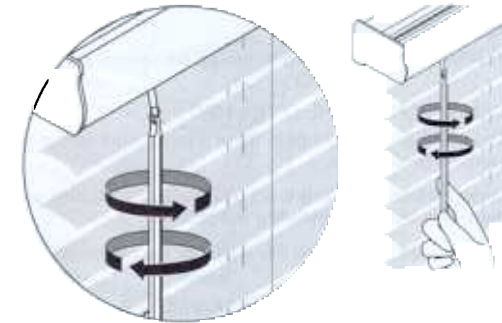
TO RAISE THE SHADE: Grab the handle(s) and lift up.

Note: To keep your shade even, raise and lower from the center of the bottomrail.



5b - Aluminum Blind

TILT: Turn wand to tilt slats to desired angle.



REMOVING THE SHADE

Push a flat screwdriver up between the bracket and the back of the rail, twist screwdriver and headrail will release from back of bracket.



CLEANING THE SHADE

Fabric and Pleated shades are easy to keep looking clean and new for years. Regular dusting can be done with a feather duster while the blind is positioned in the window. Periodically, fabric should be lightly vacuumed using an upholstery or brush attachment. Other cleaning techniques require the shade to be removed from the window opening.

Once the shade is removed from window, open the shade and lay it out on a clean, flat surface, such as a table. Fabric that has become soiled with topical dirt (i.e. dirt that is resting on the surface of the fabric), we recommend that the shade be spot cleaned using a soft cloth, mild detergent and warm water. Extra care should be used when cleaning Cellular and Pleated shades because the fabrics can permanently crease. Remove any excess water from the fabric by patting with a clean, dry towel. Hang the shade in your window opening when completely dry. Note: Frequent wet cleaning may tend to remove the fullness and body of the fabric.

Due to the differences in ultrasonic cleaning operators, we cannot recommend this method of cleaning. **Do not use strong detergents or spot removers. Dry cleaning is NOT recommended. Do not get water in the headrail. DO NOT SUBMERGE**

Aluminum Blinds:

Routine dusting can be done with a soft brush, cloth or with a vacuum cleaner's brush attachment. If blinds become soiled, they may be cleaned with a soft cloth dampened with warm water. **DO NOT SUBMERGE.** You may want to add a small amount of mild, non-abrasive liquid soap (ie. Dove, Ivory, etc.) to the warm water. It is also possible to have your blind professionally cleaned. We advise you to utilize professional window treatment cleaning services if you elect to have your blinds cleaned by methods other than those suggested above. Our warranty does not cover damages caused by cleaning services.