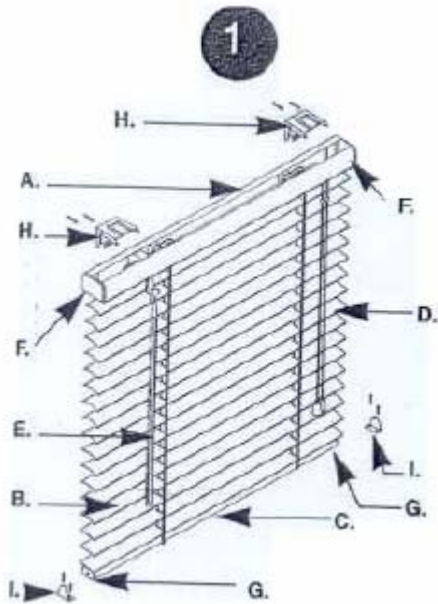


MINI BLIND INSTALLATION INSTRUCTIONS



Everything you need to install your blind

- A. Headrail
- B. Slats
- C. Bottom rail
- D. Lift Cords
- E. Wand
- F. Head Rail Endcap
- G. Bottom Rail Endcap
- H. Mounting bracket with 2 screws
- I. Hold down brackets with pins and screws

Note: All parts listed are not included with every blind.

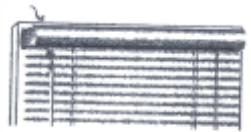
CAUTION: The mounting screws included are for wood or sheet metal surfaces. Additional fasteners and/or anchors may be needed for other surfaces.

TOOLS NEEDED:

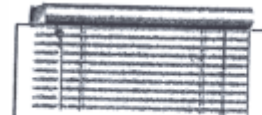
- Tape Measure
- Screwdriver
- Pencil
- Drill with 1/16" bit

CHOOSE MOUNTING METHOD

2



**INSTALACIÓN EXTERNA
OUTSIDE MOUNT**



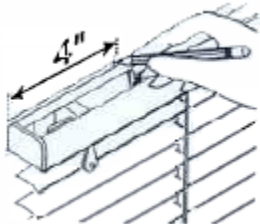
**INSTALACIÓN EN EL TECHO
CEILING MOUNT**

DETERMINE BRACKET LOCATION:

You may want someone to help you hold the blind while you complete this step.

Outside Mount:

Hold blind in the desired final position. Using the back of the headrail as a guide, place your pencil against the mounting surface at the end of the blind and draw a 4" line towards the center. Repeat for other side.



Inside or Ceiling Mount:

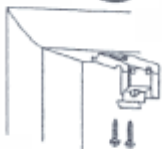
Hold blind in the desired final position. Using the front of the headrail as a guide, place your pencil against the mounting surface at the end of the blind and draw a 4" line towards the center. Repeat for the other side.

Note: Additional support brackets may be provided for wider blinds. If so, mark support bracket locations evenly spaced between the two brackets above, making sure that they do not get placed directly over the internal components of the blind.

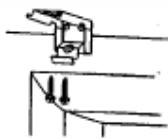
DRILL HOLES AND SCREW IN BRACKETS

Place a bracket on the middle of each of your guidelines and mark the screw locations of the brackets with a pencil. Drill holes and install brackets.

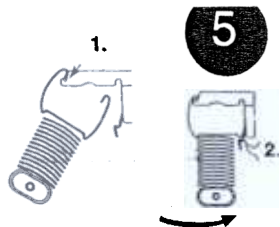
4



**INSTALACIÓN INTERNA
INSIDE MOUNT**



**INSTALACIÓN EN TECHO O PARTE ALTA
CEILING MOUNT**



5

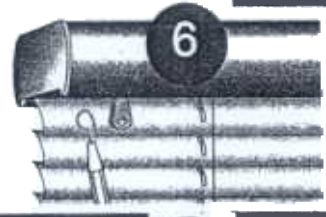
3.

- 1. hook
- 2. snap
- 3. press tab back

MOUNT BLIND ON BRACKETS

Hang blind by first placing front headrail lip over hooks on the front of the bracket. Rotate the headrail up and back until the lower lip snaps into the bracket. Check that each bracket snaps securely over the lip.

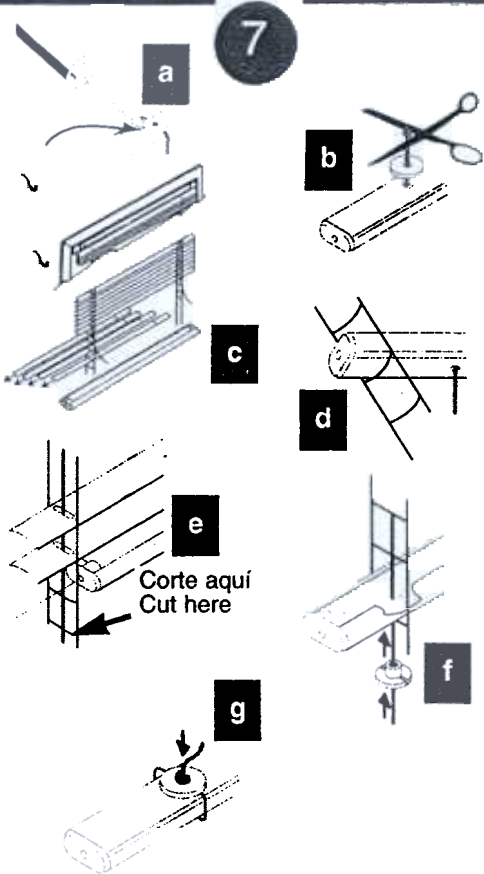
If you need to remove your blind, press back the tab on the bottom of each bracket and rotate the blind forward and out of each bracket.



6

ATTACH TILT WAND

Insert the wand hook end into the hole at the end of the tilter.



7

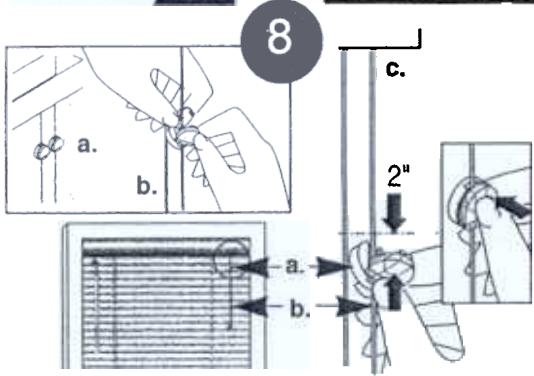
SHORTENING THE BLIND (Optional)

- a. Carefully remove caps on bottom rail.
- b. Untie or cut lift cords under caps.
- c. Slide out the bottom rail and the number of slats required to shorten blind to desired length.
- d. Reinsert the bottom rail through the ladder rung that gives you the length you desire.
- e. Allowing one extra rung, cut off excess ladders and tuck into bottom rail.
- f. Thread the bottom rail caps onto the lift cord and push them into place in the bottom rail.
- g. Retie the lift cords and insert knots into bottom rail caps. Cut off excess cord.

Lift blind by the tassel to ensure that the bottom rail remains level when operating. If not, untie the lift cord knot under the tassel and remove the tassel.

Pull the lift cords until all of the slack is taken out. This will equalize the length of the lift cords so the blind will remain level when being raised.

Re-thread the tassels on the lift cords. Retie the knot at the bottom of the lift cords and pull the tassel down over the knot.



8

LIFT CORD AND BEAD ADJUSTMENT

Make sure blind is dropped to its maximum length.

Unsnap clear two piece bead located on lift cords. Slide bead up the cord until it is 2" inches away from headrail and snap bead together again.

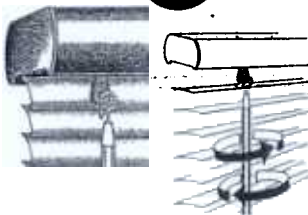
Repeat for all cords.

- a. Bead
- b. Lift Cord
- c. Bottom of Headrail

9

HOLD DOWN BRACKETS (Optional)

Hold down brackets are used to keep the bottom of the blind from swaying. Screw the brackets to the mounting surface. Slip the hold-down pin into the bottom rail endcaps.

10**OPERATING YOUR BLIND****TILT:** Turn wand to tilt slats to desired angle.**RAISE OR LOWER:** Slats should be fully open, not tilted, when raising or lowering. To raise blind, pull lift cord straight down. To lower blind, pull cord toward center of blind and slowly raise your hand while holding onto the cord.**LOCK:** When cord hangs straight down, the cord lock holds the blind in position.**11****CLEANING SUGGESTIONS**

We recommend routine cleaning with a soft brush, a vacuum attachment, or a cloth dampened with warm water and mild non-abrasive liquid soap.

12**LIFETIME LIMITED GUARANTEE**

OUR GUARANTEE. Once you are satisfied with your new blind and the way it was installed in your home, Springs Window Fashions LP guarantees your blind will be free from defects due to faulty workmanship or materials forever.

OUR OBLIGATION TO YOU. For claims covered under this guarantee, Springs Window Fashions LP will, at no charge to you, replace or repair any product found to be defective as a result of faulty workmanship or materials, and pay for shipping the product back to you anywhere in the Continental United States.

FOR GUARANTEE SERVICE. Contact your dealer or write to:

Customer Service Department
 Springs Window Fashions LP
 R.D.#1 Route 405 South
 P.O. Box 500
 Montgomery, PA 17752

GUARANTEE LIMITS. This guarantee does not apply to any Springs Window Fashion LP blind or parts thereof which fail due to accident, alteration improper use, abuse, neglect, normal wear, nor color fading due to sunlight, direct exposure to salt air, failure to follow Springs Window Fashions LP instructions for measuring, installing or operating this product, products produced by Springs Window Fashions LP that are not identified as Springs Window Fashions LP blinds or any blinds made of wood. Also, this guarantee applies only to Springs Window Fashions LP blinds manufactured by Springs Window Fashions LP.

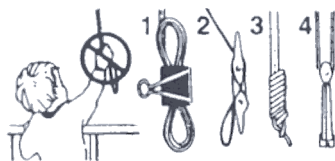
Any defect, malfunction or other failure of the product to conform to this limited guarantee will be remedied by Springs Window Fashions LP, solely in the manner provided in this guarantee.

THIS LIMITED GUARANTEE DOES NOT COVER, AND IS NOT INTENDED TO EXCLUDE, ANY AND ALL LIABILITY ON THE PART OF THE COMPANY, WHETHER UNDER THIS LIMITED GUARANTEE OR UNDER ANY GUARANTEE IMPLIED BY LAW, FOR ANY INDIRECT OR CONSEQUENTIAL DAMAGES FOR BREACH THEREOF EXCEPT AS EXPRESSLY PROVIDED ABOVE IN THIS LIMITED GUARANTEE, THE COMPANY HEREBY NEGATES AND DISCLAIMS ALL EXPRESS GUARANTEES.

Note: Some states do not allow the exclusion or limitation of incidental or consequential damages, so the forgoing limitation or exclusion regarding such damages may not apply. Also, this Limited Guarantee gives specific legal rights, and you may also have other rights which vary from state to state.

13**WARNING**

TO AVOID POSSIBLE STRANGULATION, KEEP CORDS OUT OF REACH OF CHILDREN. USE THESE DEVICES:



1. CLAMP OR CLOTHES PIN.
2. CLEAT
3. TIE THE CORD TO ITSELF
4. TIE-DOWN DEVICE.