

Blindsgalore® America Series Roman Shades

Introduction

We're pleased you have chosen Blindsgalore® America Series Roman Shades for your home. They have been carefully constructed from the finest fabrics and components to fit your windows, and have been thoroughly inspected to assure high-quality appearance and operation.

These easy-to-follow instructions cover both Inside Mounting (within the window casement) and Outside Mounting (to the wall above the window casement), using convenient snap-in support brackets. Please follow those sections that apply to you.

Parts included in your package

- Assembled shade with matching fabric valance (Note: keep closed until finished with installation)
- Snap-in mounting brackets
- Four Mounting screws



Tools you will need

- Pencil
- Medium screwdriver
- Level
- Drill with 1/16" bit

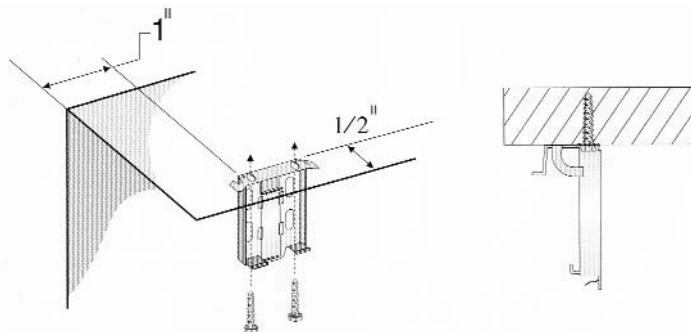
Special fasteners you may need (if not attaching to wood studs)

- Hollow walls: (drywall, paneling): molley bolts or toggle bolts
- Masonry or tile: self-drilling anchors, plugs or screws
- Metal: use screws provided; pre-drill holes



- 1) Attach mounting brackets
 - a. Inside Mount

Using screws (or other fasteners) attach brackets vertically, one inch away from sides of upper window frame and recessed 1/2-inch from front edge. If upper window sill is not level, use washers (not included) as needed to ensure equal height of brackets.



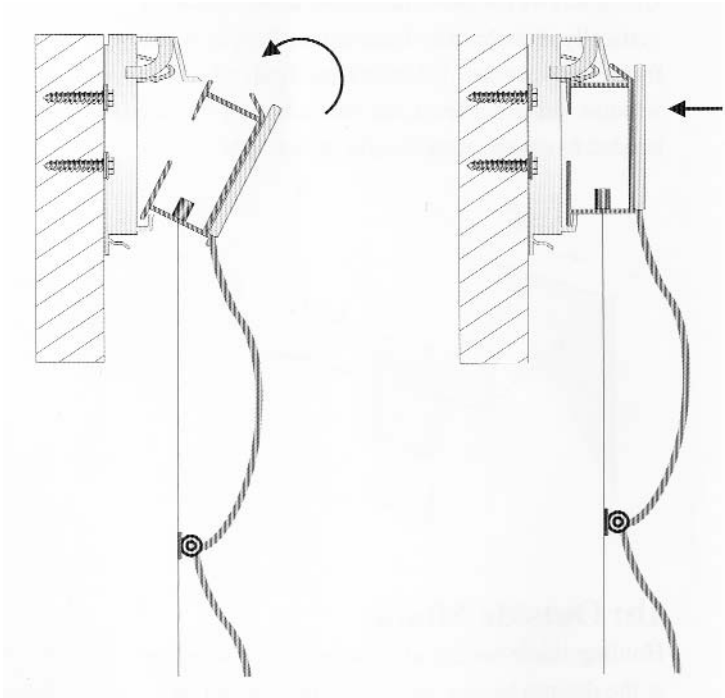
b. Outside Mount

Holding shade level and centered above window at the desired height, mark ends of headrail on wall. Attach brackets to wall one inch within headrail marks, driving screws (or other fasteners) into diagonally opposite holes.



2) Attach shade to brackets

Tilt the headrail so that the bottom lip on the back catches the lower bracket tabs. Roll headrail upwards and in until the top clicks securely into place.



3) Operation of shade

Blindsgalore America Series Roman Shades cord lock and fabric panel lift system are ready to provide years of smooth, flawless operation. To raise the shade, simply pull straight down on the bottom tassel and release, locking the shade securely at the desired height. To lower, gently pull the cord release tassel while holding the cord, allowing the shade to descend to the desired height, releasing a cascade of luxurious, contoured fabric folds.

Safety: To avoid possible strangulation, keep cords out of the reach of children.

