

Vertical Blinds and Shades

Before you install your Blind:

- Inspect the packaging carefully to ensure all parts are included.
- Check all hardware against the parts list in these instructions.
- Check the area where you intend to install the blind to ensure a clean working area.

Whenever using tools, make sure that you have proper eye protection. Never use tools while under the influence of alcohol or other drugs.

Attaching the brackets

1. Outside Mounts (Diagram A)

Outside mounting brackets are used for hanging your vertical blind on the wall or outside the window frame.

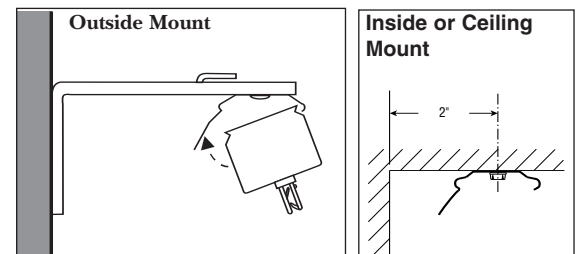
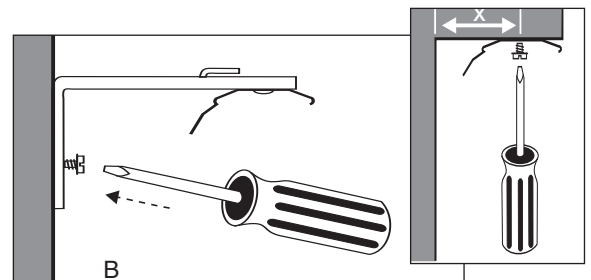
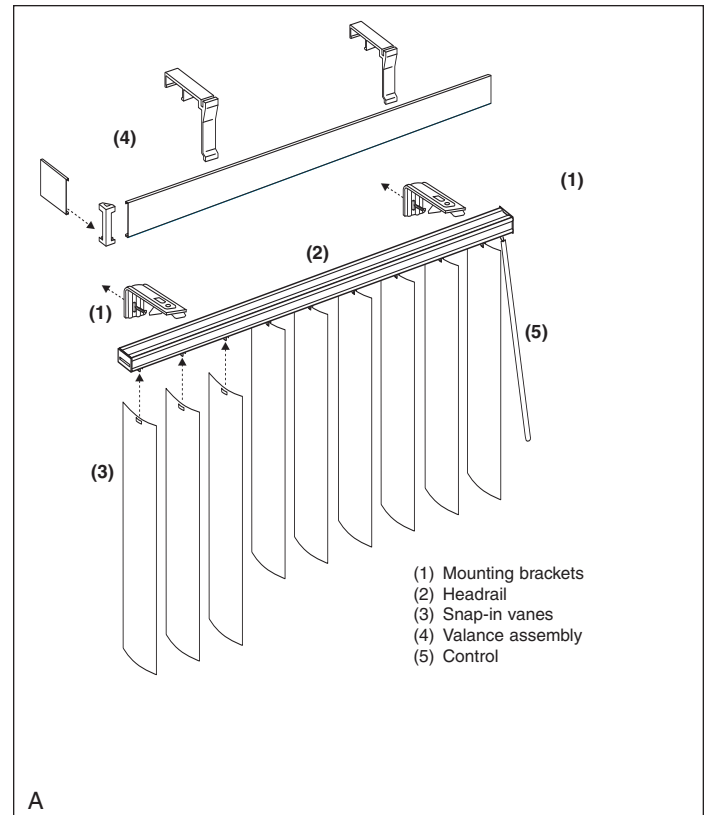
- Position an installation bracket on the wall approximately 3" from each end of the headrail.
- Vanes require 1/2" clearance from the floor covering.
- Place additional bracket in the center of the headrail.
- The clip release flange goes toward the wall or window.

2. Inside or Ceiling Installation (Diagram C)

- To allow full vane rotation, position mounting clip screws 2-1/4" minimum from the window, wall or projections.
- Position one mounting clip 3" from each end of the headrail. Place all remaining mounting clips equally across width of headrail. Tighten all screws securely.

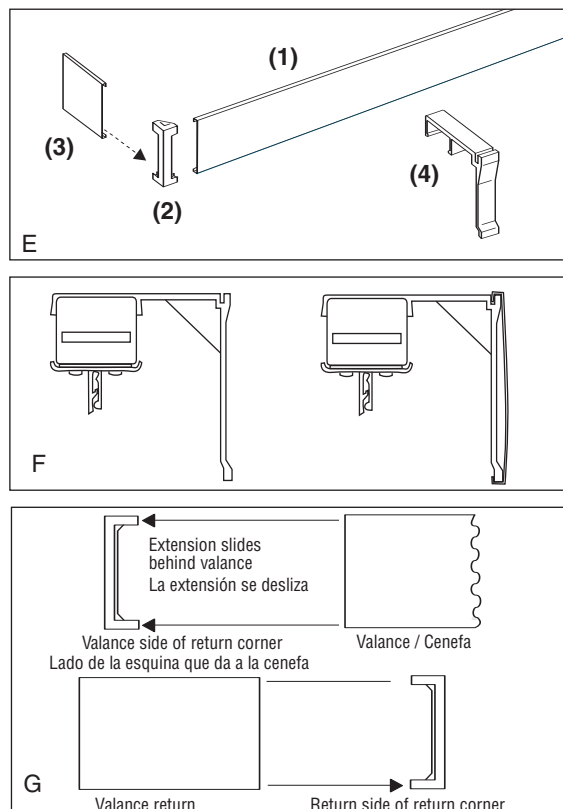
3. Installing the headrail (Diagram D)

Determine which side you want the cordless control to hang from (this determines the front of the headrail). Insert the front lip of the headrail into the groove at the front of the clip, and then rotate the back of the headrail up until it snaps into the back of the clip.



Vertical Blinds and Shades

Installing the Valance - Style 1



4. Installing the Valance

Valance Parts (Diagram E)

- (1) Valance
- (2) Valance return corners
- (3) Valance returns
- (4) Outside valance brackets

Attaching the Brackets (Diagram F)

Space the valance brackets evenly across the width of the headrail.

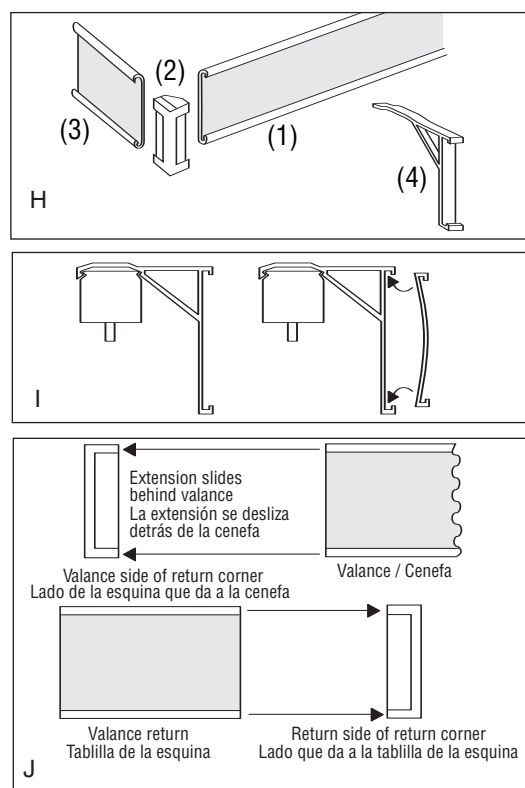
- Clip back of valance bracket onto the back of headrail.
- Rotate valance bracket down and snap onto front of headrail.
- Hang valance from top of bracket and snap on.

Attaching the Valance Returns (Diagram G)

Use the valance return corner to attach the returns to the valance. Attach the corner first and then the return.

- Slide the valance groovers into the corner holders.
- The valance return slides in the other side of the corner.

Installing the Valance - Style 2



4. Installing the Valance

Valance Parts (Diagram H)

- (1) Valance
- (2) Valance return corners
- (3) Valance returns
- (4) Valance brackets

Attaching the Brackets (Diagram I)

Space the valance brackets evenly across the width of the headrail.

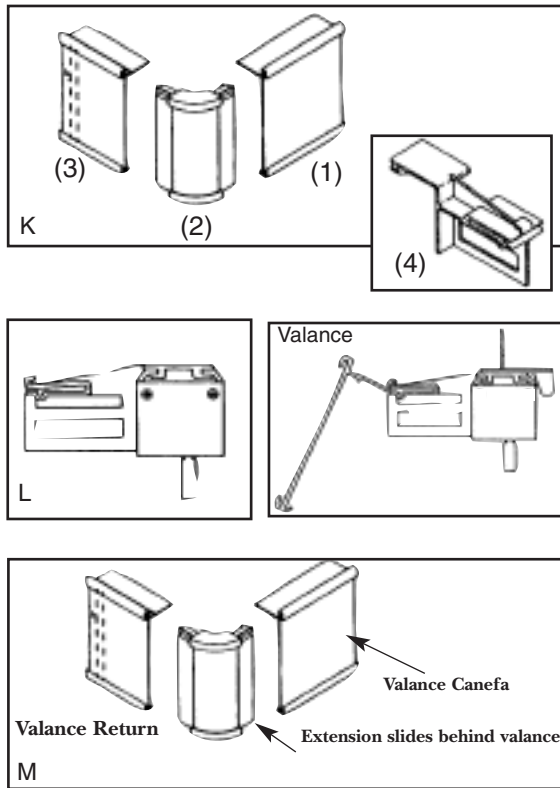
- Clip back of valance bracket onto the back of headrail.
- Rotate valance bracket down and snap onto front of headrail.
- Hang valance from top of bracket and snap on.

Attaching the Valance Returns (Diagram J)

Use the valance return corner to attach the returns to the valance. Attach the corner first and then the return.

- Slide the valance groovers into the corner holders.
- The valance return slides in the other side of the corner.

Installing the Valance - Style 3



4. Installing the Valance

Valance Parts (Diagram K)

- (1) Valance
- (2) Valance return corners
- (3) Valance returns
- (4) Valance brackets

Attaching the Brackets (Diagram L)

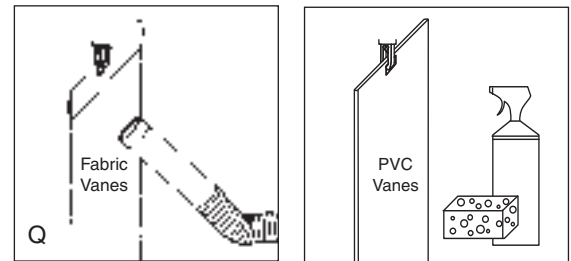
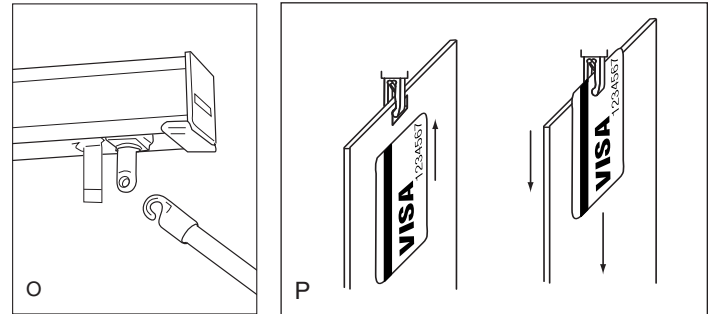
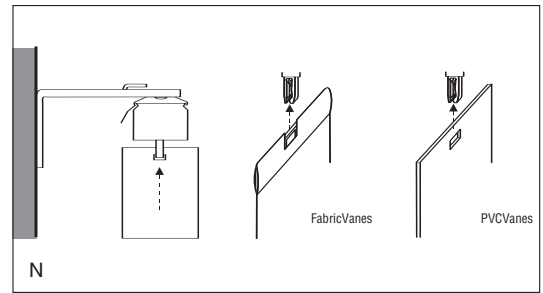
Space the valance brackets evenly across the width of the headrail.

- Clip valance bracket headrail.
- Hang valance from top of bracket and snap on.

Attaching the Valance Returns (Diagram M)

Use the valance return corner to attach the returns to the valance. Attach the corner first and then the return.

- Slide the valance groovers into the corner holders.
- The valance return slides in the other side of the corner.



3. Attaching the vanes (Diagram N)

Pull the control wand so the vane holders spread out evenly across the headrail.

Hold the vane near the top to support it and gently push the vane up into the holder. Gently pull the vane down to lock it on the hook.

5. Attach Cordless Control Wand (Diagram O)

Slide the hook of the wand into the hole of the control end.

7. Removing Vanes (Diagram J)

To remove vanes, use stiff card such as a credit card to help removal process. Insert card up into vane carrier along side vane, and pull down. Card must release hook from vane when inserted.

8. Cleaning Instructions (Diagram K)

Vinyl vanes. Apply a mild soap and cold or warm water solution with a soft cloth or sponge. Abrasive or strong cleansers may scratch or mar the vane's surface. Dry with a towel to avoid water marks.

General rules when cleaning any vanes are:

1. Clean one vane at a time.
 - a. Detach one vane
 - b. Place it on a flat surface
 - c. Clean as specified
 - d. Attach the vane back on headrail
2. Soaking vanes may cause damage.
3. Never use hot water to clean vanes.
4. Never machine wash or dry clean vanes.
5. Never use a solvent cleaner.
6. Never use a dryer, or fold vanes over clothes line.