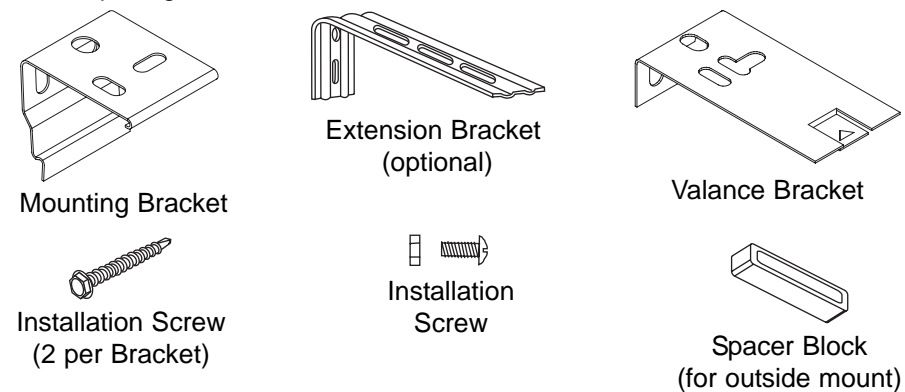


## BASICS

A few simple tools are required:

- Measuring tape
- Power drill, drill bits
- Hex head and/or Phillips driver bit
- Pencil

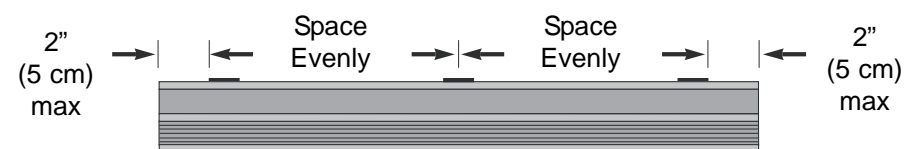
Additional fasteners other than those sent with your shade may be required depending on the mounting surface. Wallboard and plaster require the use of anchors such as expansion or toggle bolts. Brick, tile or stone need special plugs and drill bits. Remember to always pre-drill holes in wood to avoid splitting.



## BRACKET INSTALLATION

Shade Width	# of Brackets
up to 40"	2
>40" - 72"	3
>72" - 84"	4
>84"	5

End brackets should be located with edges no further than 2" in from each end.

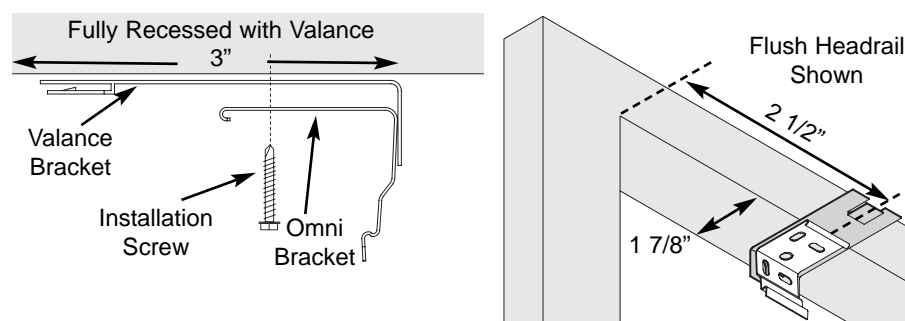


Depending on the width of the shade, additional brackets may be necessary and should be evenly spaced between the two end brackets.

Using the Installation Bracket as a template, measure and mark the screw holes. When mounting brackets, make sure they are in line and level.

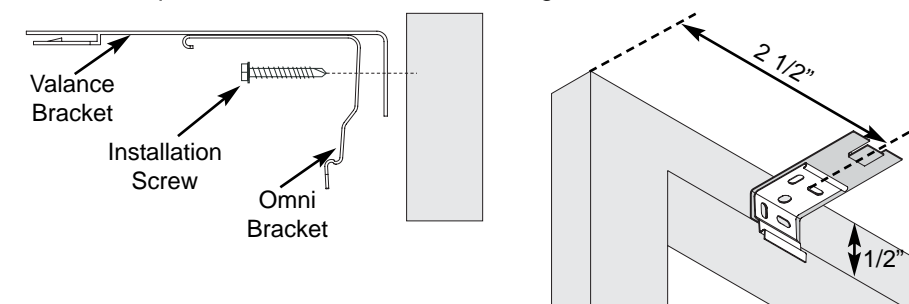
## INSIDE MOUNT

The brackets are mounted flat against the top sill surface. To fully recess the shade (*without* a battery wand on the back) requires a flat surface with a minimum depth of 1 13/16". To fully recess the shade (*with* a battery wand on the back) requires a flat surface with a minimum depth of 2 5/8". Shallow mounting requires 1 1/8" minimum.



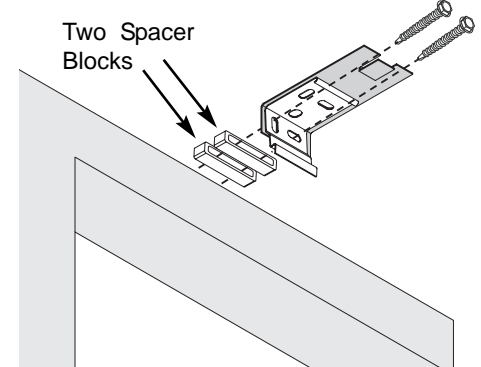
## OUTSIDE MOUNT (When Battery Wand Is Mounted On The Wall)

The brackets are mounted with two screws through the back end of the brackets flat against the window molding or the wall above the window. The brackets requires a minimum surface 1/2" high.



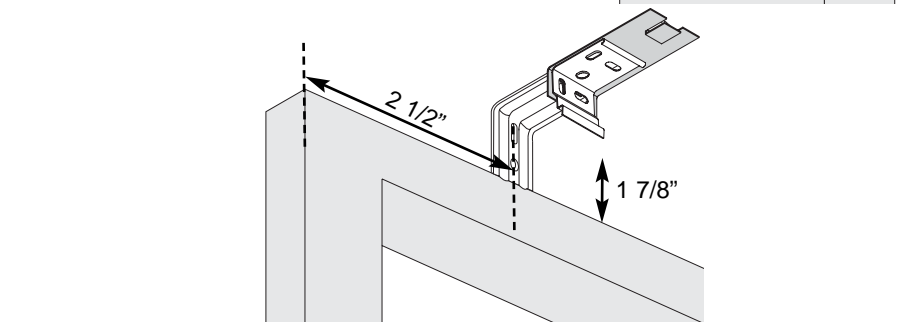
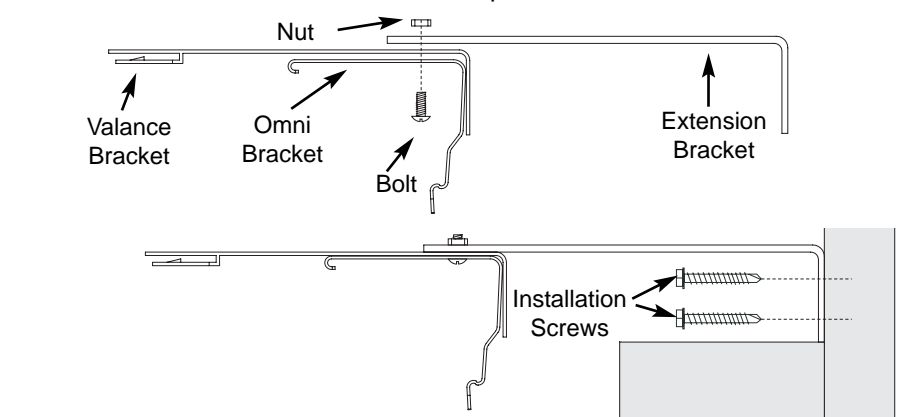
## OUTSIDE MOUNT (When Battery Wand Is Mounted On The Headrail)

The brackets are mounted with two screws through the back end of the brackets **and** two spacer blocks flat against the window molding or the wall above the window. The brackets requires a minimum surface 1/2" high. The spacer blocks are required to project the headrail away from the wall to provide room for the battery wand.



## EXTENSION BRACKETS (Optional)

Optional Extension Brackets are used to project the back of the shade up to 2 3/8" from the mounting surface. Attach the Installation Brackets to the Extension Bracket with the nut and bolt provided.

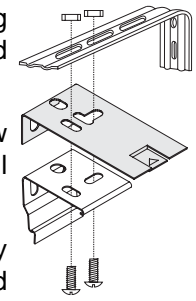


## SIDEMOUNT WITH EXTENSION BRACKET (Optional)

Measure from window sill up to desired mounting position on each side of the window frame and mark the position.

Mount Extension Brackets on each side of window frame as shown. Make sure to confirm that headrail will sit perfectly level.

Once Extension Brackets are installed and properly positioned, attach the Omni Mounting Bracket and Valance Bracket using the nuts and bolts provided.



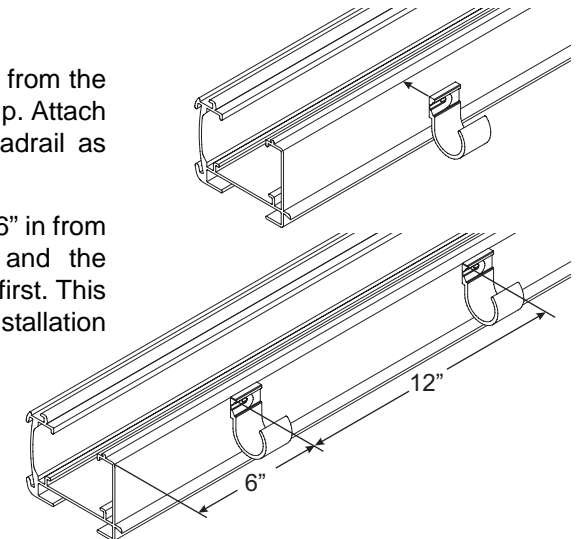
## BATTERY WAND ATTACHMENT

### Headrail Attachment

Remove the paper backing from the adhesive backing on the clip. Attach the clip to back of the headrail as shown.

Be sure that the first clip is 6" in from the end of the headrail and the second clip is 12" from the first. This will allow room for the installation brackets.

Snap the battery wand into the clips.

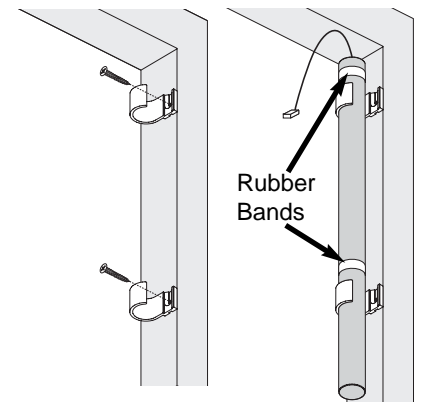


### Wall Attachment

Using one screw per clip, attach the clips to the wall as shown.

Be sure that the distance between the first clip and the second clip is 12".

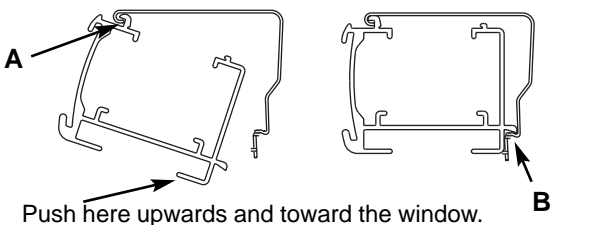
Place the rubber bands on the battery wand so that when the wand is in the clips, the rubber bands will prevent the wand from sliding out. See diagram to the right.



## HANGING THE SHADE

First lower the shade to about an inch (2-3cm) below the headrail. This will help keep the fabric from getting caught between the brackets and the headrail. Position the headrail with the front lip (A) resting on the top hooks of all the brackets. Make sure no fabric is pinched between the brackets and the headrail.

Push the bottom of the headrail firmly upwards and toward the window until the groove at the bottom of the headrail snaps into place.



Once the shade is installed, plug the battery wand into the motor (Shade will "Jog" when battery is plugged in).

### Setting Favorites and Re-Adjusting Limits

**NOTE: When adjusting limits on a shade, unplug all other motorized shades. When completed with adjusting limits, plug the motors back in.**

#### Setting an Intermediate Position (IP)

1) Press the **UP** or **DOWN** directional button on the previously addressed transmitter until the shade reaches a desired intermediate position, then press the **MY (Stop)** button to stop. If necessary adjust the desired position with a brief press of either the **UP** or **DOWN** button.



2) Press and hold the **MY (Stop)** button on the transmitter until the shade jogs. Intermediate position is now added to memory



3) Activate the shade intermediate position by pressing the **MY (Stop)** button from ANY shade position.



**Note: Shade should be stationary prior to activating intermediate position function. If shade is actively moving (in-motion) MY (Stop) button should be pressed twice. To Delete: Activate shade to (IP) position, then press and hold the MY (Stop) button for 5 seconds.**

#### Re-adjusting Upper Limit (UP Shade Position)

1) Press the **UP** directional button on the transmitter. Shade will travel to the pre-set UP limit.



2) Once shade stops at pre-set up limit, press and hold the **UP and DOWN** buttons simultaneously on the transmitter until the shade jogs.



3) Press and hold either the **UP** or **DOWN** button on the transmitter to adjust shade to new position.



4) Press and hold the **MY (Stop)** button until the shade jogs. New Upper Limit (Up Stop Position) is now added to memory.



#### Re-adjusting Lower Limit (DOWN Shade Position)

1) Press the **DOWN** directional button on the transmitter. Shade will travel to the pre-set DOWN limit.



2) Once shade stops at pre-set down limit, press and hold the **UP and DOWN** buttons simultaneously on the transmitter until the shade jogs.



3) Press and hold either the **UP** or **DOWN** button on the transmitter to adjust shade to new position.



4) Press and hold the **MY (Stop)** button until shade jogs. New lower limit (Down Stop Position) is now added to memory

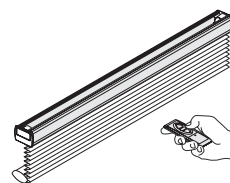
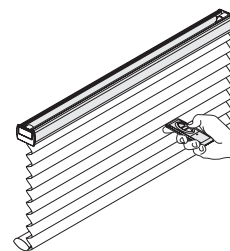
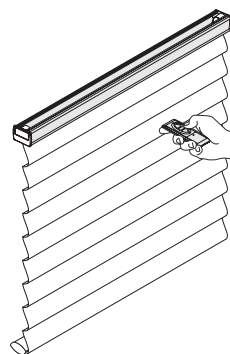


#### SHADE OPERATION

Pressing the down button will fully open the shade.

Pressing the middle button will bring the shade to the Intermediate Position.

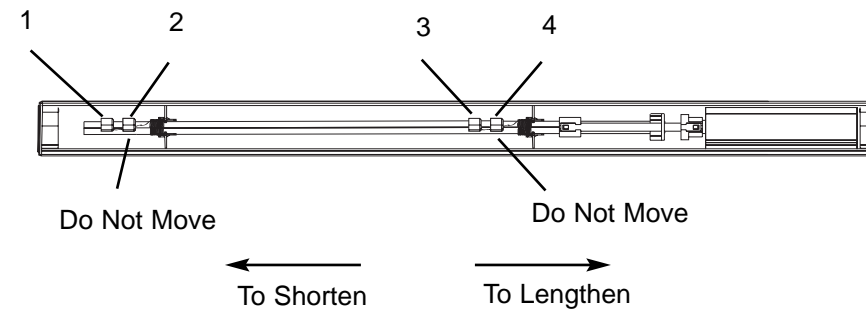
Pressing the up button will fully close the shade.



### ADJUST LENGTH OR EQUALIZATION

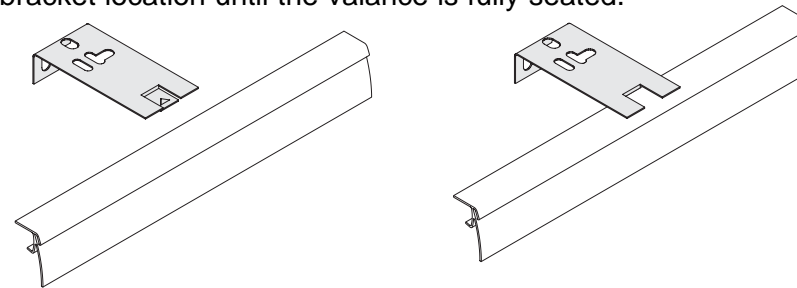
Adjustments can be made by sliding cord clips #1 and #3. Sliding the clips closer to the cradle will lengthen that side. Sliding clips away from the cradle will shorten that side. Clips #2 and #4 must remain equal distances from the cradles.

**Do not adjust clips #2 and #4**



### INSTALLING THE VALANCE

Align the valance with the Valance Brackets. Gently push at each bracket location until the valance is fully seated.



### SHADE REMOVAL

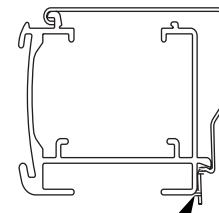
To remove a shade, insert a screwdriver between the headrail and bottom back of the bracket (tab which extends out slightly from each bracket).

Gently pry the screwdriver to release the bracket from the headrail.

Take care not to damage the painted finish of the headrail.

As you release the brackets, support the headrail to keep it from falling.

Insert screwdriver here and gently pry.



### CLEANING AND CARE

Roman shades are as easy to clean as they are to operate. Roman fabrics are anti-static and actually repel dust. Occasional vacuuming with a soft bristle attachment is all that is needed. Also, the use of a feather duster or dust buster at a low setting will help keep your shades clean and fresh. Roman shades may also be cleaned ultrasonically.

# Installation Instructions for Motorized Roman

