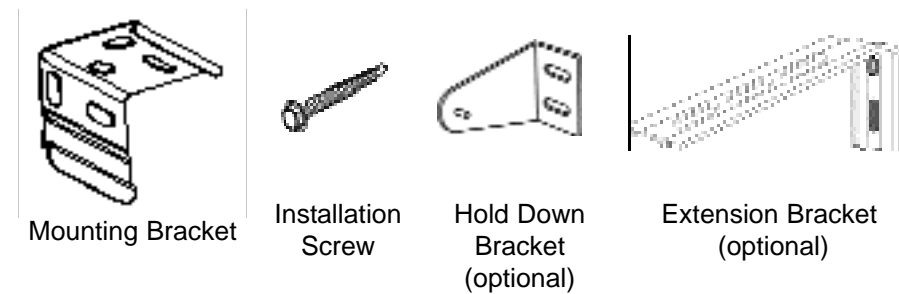


BASICS

A few simple tools are required:

- Measuring tape
- Power drill, drill bits
- Hex head and/or Phillips driver bit
- Pencil

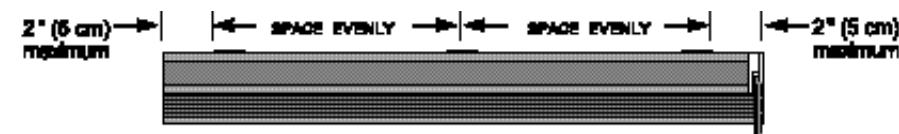
Additional fasteners other than those sent with your shade may be required depending on the mounting surface. Wallboard and plaster require the use of anchors such as expansion or toggle bolts. Brick, tile or stone need special plugs and drill bits. Remember to always pre-drill holes in wood to avoid splitting.



BRACKET INSTALLATION

For Shade widths of:	many brackets:
up to 40"	2
>40" to 72"	3
>72" to 84"	4
>84" to 102"	5
>102"	6

End brackets should be located with edges no further than 2" in from each end.



Depending on the width of the shade, additional brackets may be necessary evenly spaced between the two end brackets.

Using the Installation Bracket as a template, measure and mark the screw holes. When mounting brackets, make sure they are in line and level.

INSIDE MOUNT

The brackets are mounted flat against the top sill surface.

To fully recess the shade requires a flat surface with a minimum depth of 1 3/4".

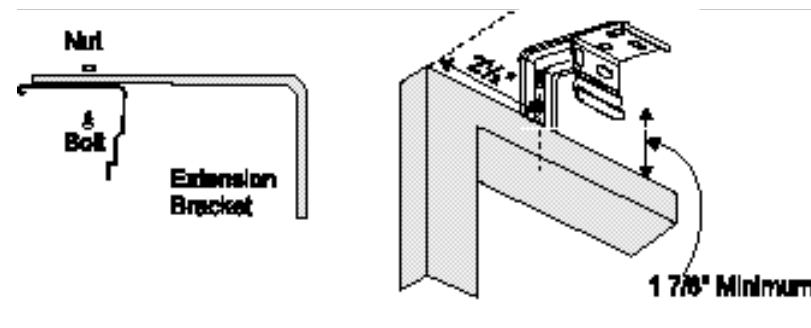
Shallow mounting requires 3/4" minimum.

OUTSIDE MOUNT

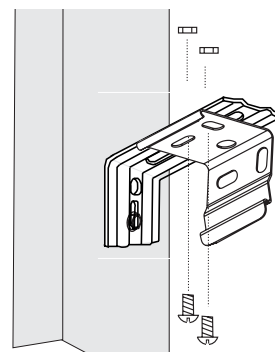
The brackets are mounted with two screws through the back end of the bracket flat against the window molding or the wall above the window. The bracket requires a minimum surface 1/2" high.

EXTENSION BRACKETS (Optional)

Optional Extension Brackets are used to project the back of the shade up to 2 3/8" from the mounting surface. Attach the Installation Bracket to the Extension Bracket with the nut and bolt provided.



SIDEMOUNT WITH EXTENSION BRACKET (Optional)



CHILD SAFETY

Install Tension Device



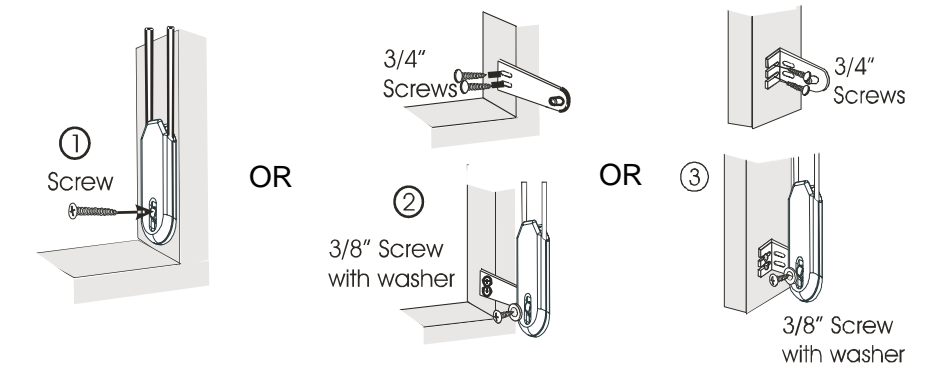
WARNING

The tension device reduces the hazards of strangulation and entanglement of young children by limiting access to the control cord. Anchor the Tension Device that is attached to the blind's control cord, to the window frame or wall, so that young children cannot pull the cords around their necks.

A. Lower the blind.

B. Hold the Tension Device upright and position the device using one of the three methods shown.

C. Position the Tension Device so that the Tension Device and the control cord do not interfere with raising or lowering the blind. The Tension device should be installed without stretching or pulling down on the control cord. Stretching the cord will cause excessive wear. Do not twist or cross the control cord.

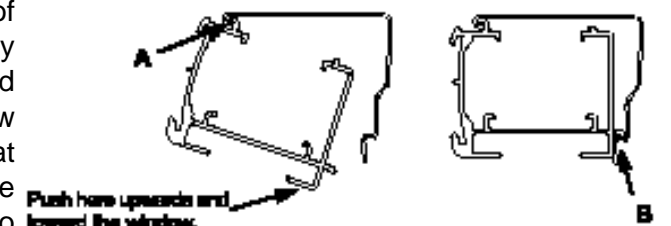


HANGING THE SHADE

First lower the shade to about an inch (2-3cm) below the headrail. This will help keep the fabric from getting caught between the brackets and the headrail.

Position the headrail with the front lip (A) resting on the top hooks of all the brackets. Make sure no fabric is pinched between the brackets and the headrail.

Push the bottom of the headrail firmly upwards and toward the window until the groove at the bottom of the headrail snaps into place.

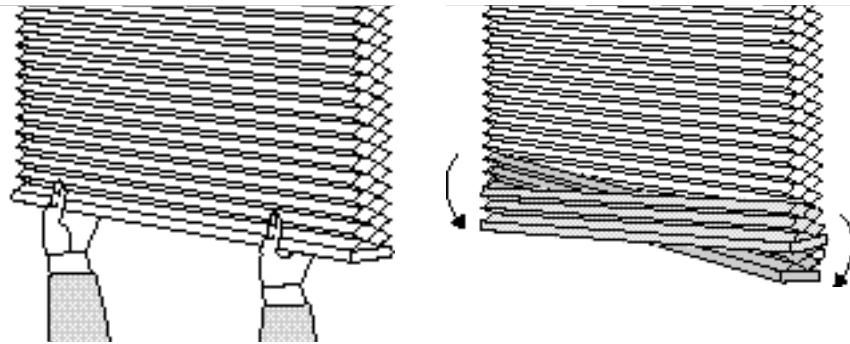


SHADE OPERATION

Operate the shade by pulling down on one side of the cord - one side of the cord raises the shade, the other side lowers the shade. Do not lift the bottom rail with your hands. Also, be careful not to place objects on the window sill that will interfere with operating the shade or cause it to hang unevenly.

CELLULAR SHADE EQUALIZATION - EZEQ

Cellular shades use a system that allows easy leveling of the bottom rail. This applies only to Cellular shades. *Pleated, pleated-cellular and Roman shades do not include the EZEQ system.*



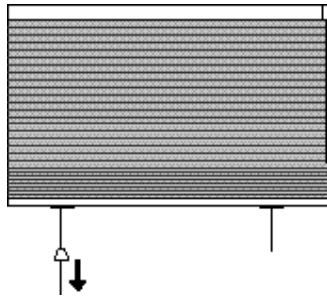
Stand in the center of the shade and grasp the bottom rail with both hands.

Position the rail as desired, by pulling down on the side that is too high.

ADJUST LENGTH OR EQUALIZATION ON PLEATED AND HOBbled ROMAN SHADES

If the shade length and equalization is satisfactory, simply trim the excess cord hanging below the bottom rail.

If adjustments are necessary, pull the excess cord at the bottom of the shade down until the Bottom Rail Plug is released (fig. A). Push the cord up through the Bottom Rail Plug (figs. B & C).

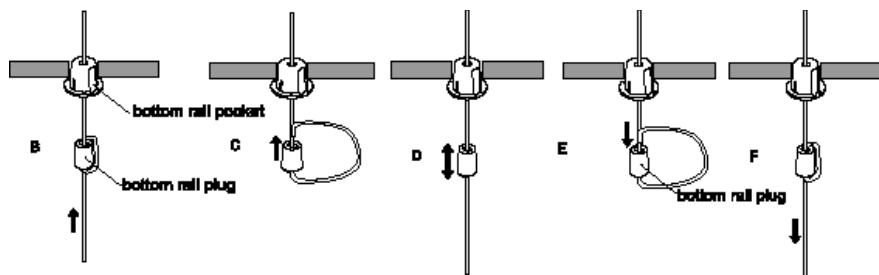


Adjust the position of the plug as necessary (fig. D).

Feed the cord back through the Bottom Rail Plug (figs. E & F).

Push the Bottom Rail Plug back into the Bottom Rail Pocket.

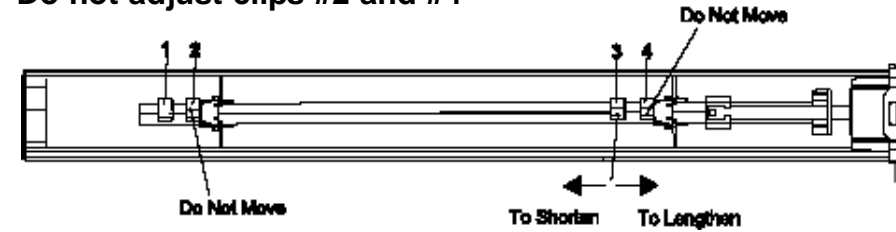
When bottom rail adjustments have been made, trim the excess cord hanging below the bottom rail.



ADJUST LENGTH OR EQUALIZATION ON PLEATED CELLULAR AND FLAT ROMAN SHADES

Adjustments can be made by sliding cord clips #1 and #3. Sliding the clips closer to the cradle will lengthen that side. Sliding clips away from the cradle will shorten that side. Clips #2 and #4 must remain equal distances from the cradles.

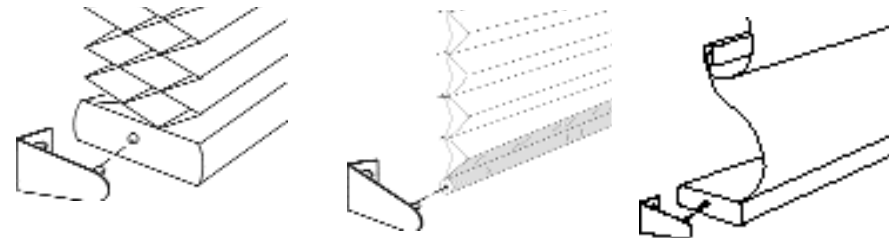
Do not adjust clips #2 and #4



HOLD DOWN BRACKET (Optional)

Optional Hold Down Brackets are mounted with the supplied screws. With the shade at its proper drop, place the pin of each Hold Down into the hole in each End Cap and mark the screw holes. Make sure the pins are level and aligned. Raise the shade, then screw the Hold Down Bracket into the mounting surface.

Cellular and Pleated Shades Pleated Cellular Shades Roman Shades



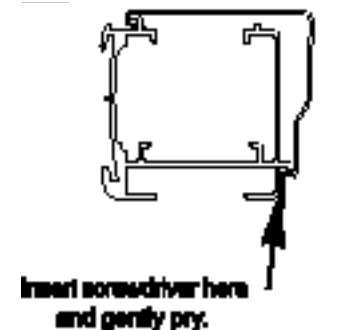
SHADE REMOVAL

To remove a shade, insert a screwdriver between the headrail and bottom back of the bracket (tab which extends out slightly from each bracket).

Gently pry the screwdriver to release the bracket from the headrail.

Take care not to damage the painted finish of the headrail.

As you release the brackets, support the headrail to keep it from falling.



CLEANING AND CARE

The Shade fabric is easy to care for. Regular dusting with a feather duster or vacuum cleaner brush is recommended. Most stains can be blotted with a damp sponge and mild detergent. Cellular and Pleated shades can be removed from the Installation brackets and soaked in warm water. When damp, raise shade tightly to re-crisp pleats. Before using anything stronger than mild detergent and lukewarm water, test an unobtrusive corner of the shade. Roman shades may be ultrasonically cleaned. If you have any questions, call your dealer for advice.

Installation Instructions for Omni-Rise

