



Custom Outdoor Roller Shades Measuring Guide

How to perfectly fit your Coolaroo
Outdoor Roller Shades to your space



Shade Position

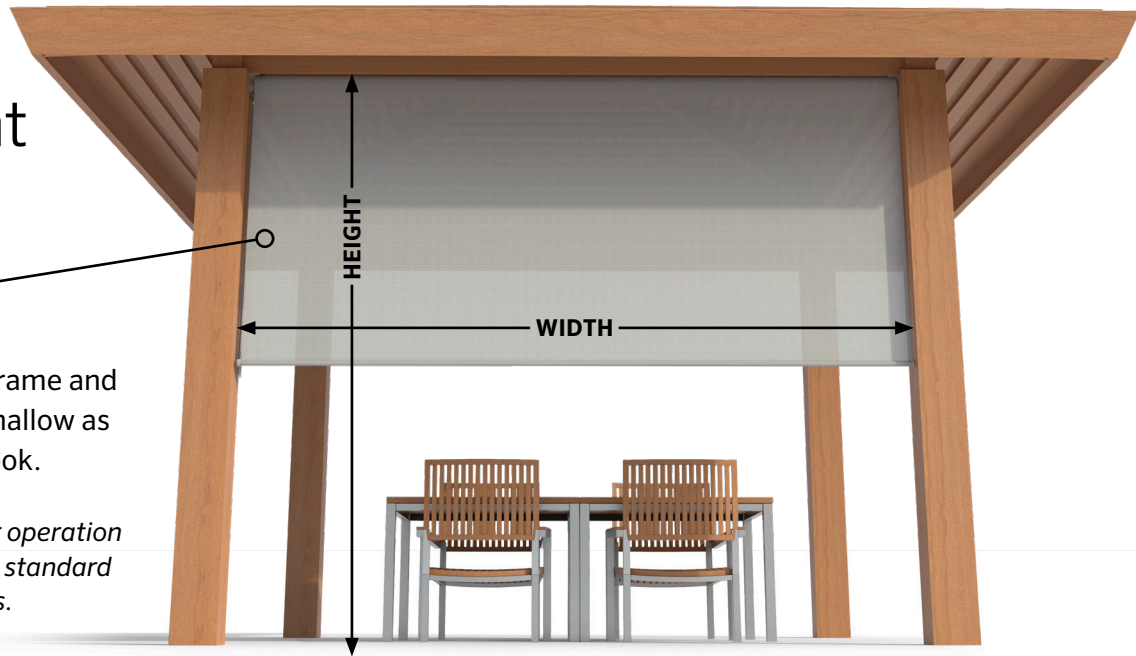
Where and how do you want your roller shades to be mounted?

Choose Mount Placement

Inside

Shades are fitted within the frame and can be mounted as deep or shallow as you like for a sleek and tidy look.

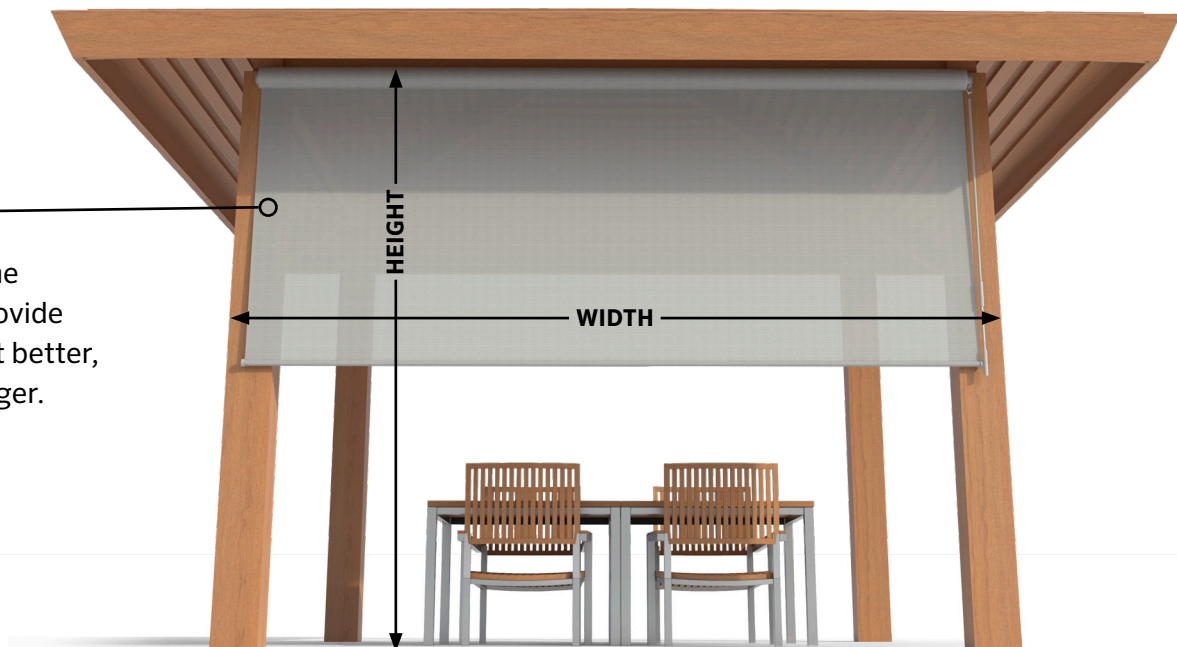
Note: The clearance required for operation creates a slight light gap. This is standard for all inside mount roller shades.



or

Outside

Shades are mounted on the outside of the frame to provide more coverage, block light better, and make a space feel bigger.



Top Mount

Choose Bracket Orientation

Depending on your frame depth, Coolaroo offers the flexibility to attach your roller shades to the Top or Wall of your structure. Just let us know which brackets you need.



Wall Mount

✓ Measurement Checklist

Before finalizing your custom roller shade order, use the below checklist to confirm accurate measurements for your space.

General Tips

- Provide exact measurements when placing your order based on the below guidelines. Our makers will accommodate your frame sizing and custom selections.
- Use a metal tape measure for accuracy.
- Always round down to the nearest $\frac{1}{8}$ ".
- Measure every framed space where you are placing shades. They might look the same, but they could have slight differences.

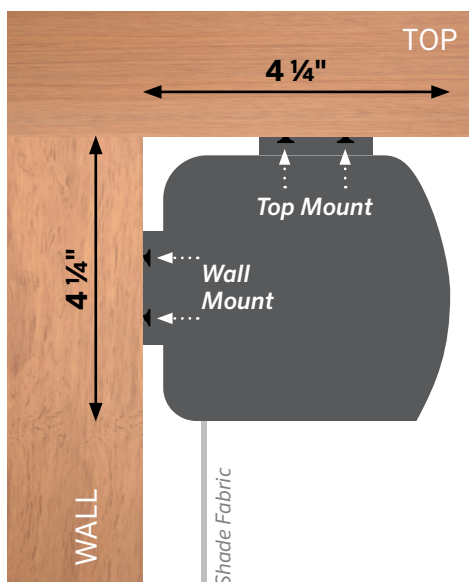
For Inside Mount Installation

- WIDTH:** Horizontally measure between the inside edges of your frame to the nearest $\frac{1}{8}$ " at the **top, middle, and bottom**. Provide the **smallest** of the three measurements.
- HEIGHT:** Vertically measure between the inside edges of your frame to the nearest $\frac{1}{8}$ " at the **left, middle, and right**. Provide the **smallest** of the three measurements.
- To help choose the best Bracket Orientation for your space, measure the surfaces of your structure using the guidelines below:

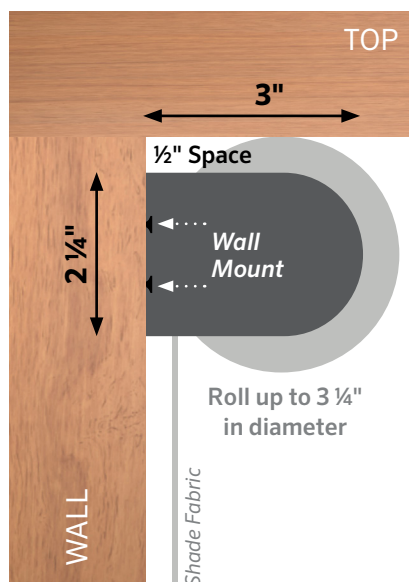
For Outside Mount Installation

- WIDTH:** Horizontally measure where your shades should be placed beyond your frame to the nearest $\frac{1}{8}$ ". For optimal glare control, we recommend overlapping your frame by 2" on either side.
- HEIGHT:** Vertically measure from where the top of your shade roll should start above your frame to the lowest point your shade should reach when extended to the nearest $\frac{1}{8}$ ".

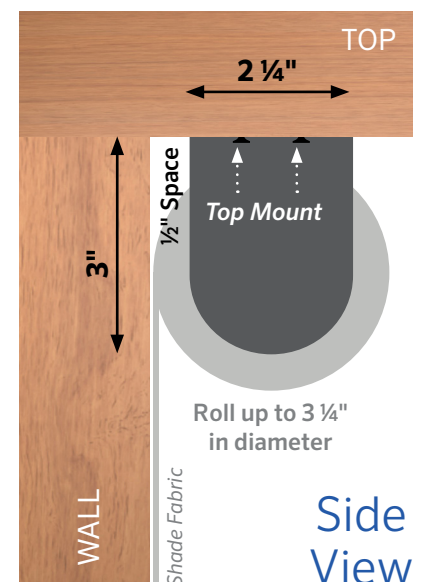
Cassette - Wall/Top Mount



Standard - Wall Mount



Standard - Top Mount



Fabric Finished Dimensions

Coolaroo will automatically make the following fabric deductions from the width measurements you provide based on your chosen lift operation and mount placement to accommodate fabric clearance.

Lift System	Classic Collection		Signature & Signature+ Collection	
	Outside (OM) Mount	Inside (IM) Mount	Outside (OM) Mount	Inside (IM) Mount
Continuous Chain Loop	-2 1/8"	-2 1/4"	-1 7/8"	-2"
Removable Wand	-2 5/16"	-2 7/16"	-2 1/16"	-2 3/16"
Removable Wand with Cassette	-2 1/4"	-2 3/8"	-2"	-2 1/8"
Solar-Powered Motor with Cassette	-1 13/16"	-1 15/16"	-1 9/16"	-1 11/16"

Note: Finished shade width, including brackets and covers, for inside (IM) mount shades is -1/8"; for outside (OM) mount shades it is the ordered width.

Hardware Dimensions

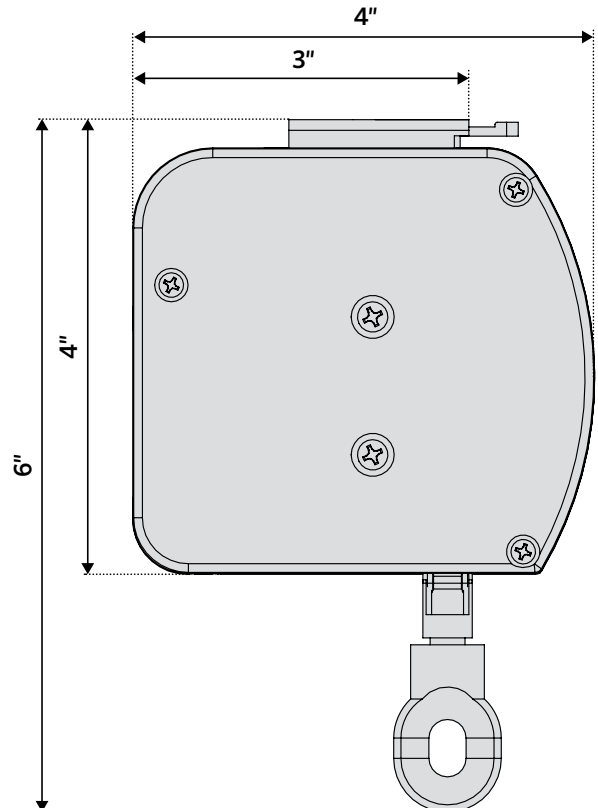
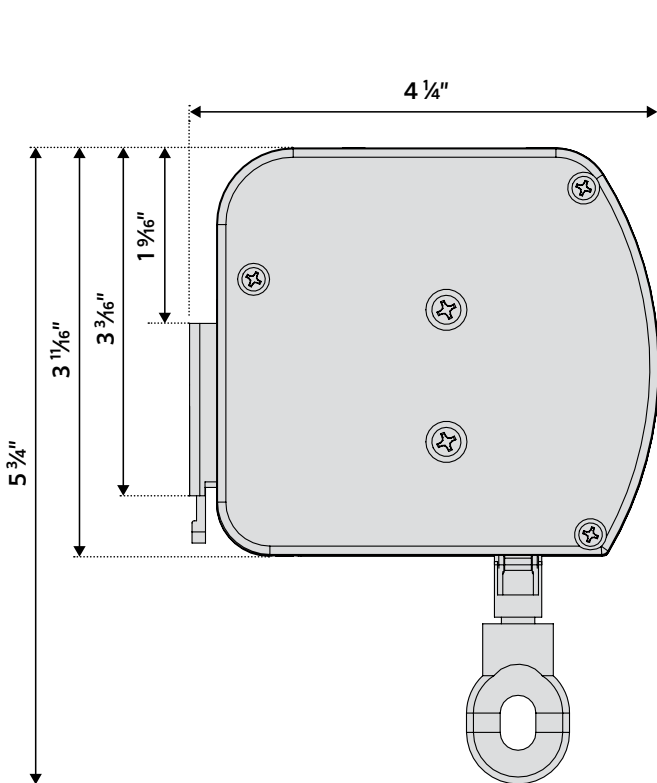
Take the following measures into account when planning the placement and mount type of your shades. Make sure your frame can accommodate your preferred hardware.

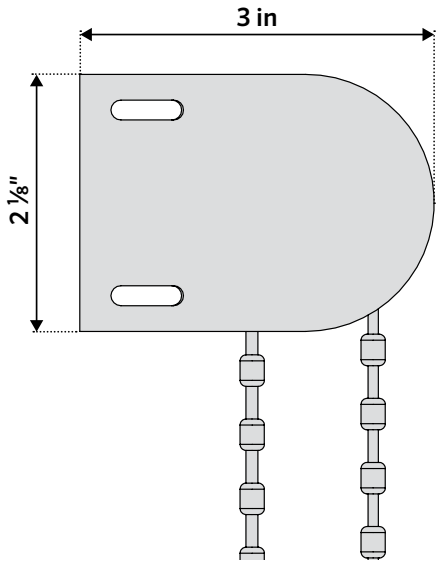
Wand/Solar-Powered Motor Cassette - Wall Mount

Minimum flat vertical surface: 3 1/16"
Projection: 4 1/4"

Wand/Solar-Powered Motor Cassette - Top Mount

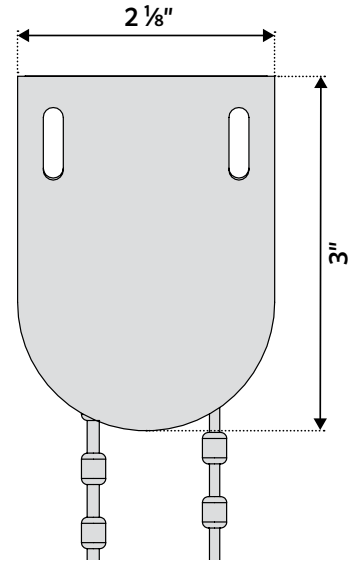
Minimum casement depth: 3"
Minimum fully recessed depth: 4"





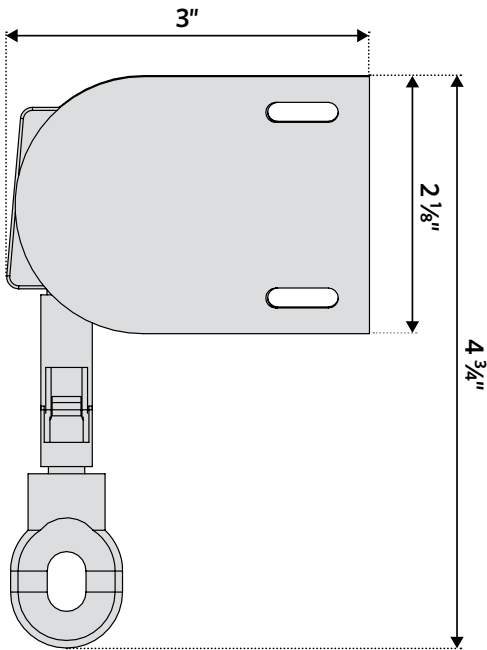
Continuous Chain Loop - Wall Mount

Minimum flat vertical surface: 2 1/8"
Projection: 3"



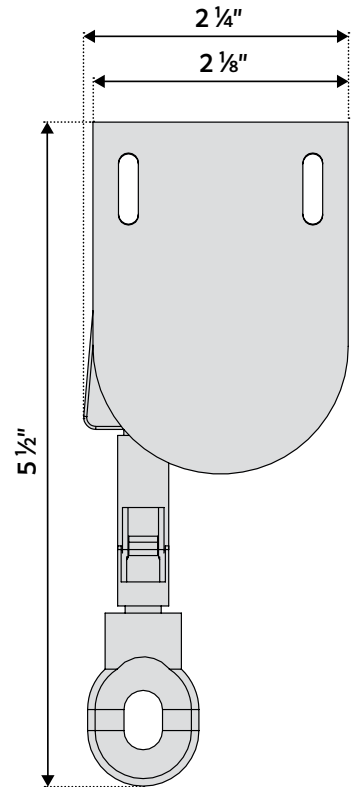
Continuous Chain Loop - Top Mount

Minimum casement depth: 2 1/8"
Minimum fully recessed depth: 2 1/8"*
**Fully recessed depth varies with the diameter of the fabric roll when the shade is fully raised.*



Removable Wand - Wall Mount

Minimum flat vertical surface: 2 1/8"
Projection: 3"



Removable Wand - Top Mount

Minimum casement depth: 2 1/8"
Minimum fully recessed depth: 2 1/8"*
**Fully recessed depth varies with the diameter of the fabric roll when the shade is fully raised.*