

Bi-Fold Installation Instructions

1. FRAME ASSEMBLY (for 3 or 4 sided applications)

Set the provided 3" screws into the assembly holes in the top frame. Align the screws with the screw ports inside the side frames (fasten tightly).

2. FRAME SPACERS

Spacers are placed at the ends of any top frame in which side frames are present. The spacers are located in the panel/track recesses of the top frame. The assembly screws will pass through the spacer and into the side frames.

3. INSTALLATION HOLES

Once the frames are assembled, installation holes are required by using a 3/8" drill bit (if not pre-drilled).

A) For an inside mount, drill a 3/8" hole through the first layer of Polyresin 3, within the mounting area every 10" starting at each end of the frame.

B) For an outside mount, drill a 3/8" hole through the first layer of Polyresin 3 at the front edge of the reveal of the frame every 10".

4. FRAME INSTALLATION

A) For an inside mount, fasten the top frame to the opening, making sure it is level; shim to level if necessary. Plumb the side frames and fasten with screws provided.

B) For an outside mount, set the frame against the wall. Level the top and fasten the top frame to the wall with the provided installation screws.

5. INSERT AND ATTACH TRACK COMPONENTS

A) One Way Stacking Bi-Folds

Determine pivot or stacking side. Install Top Pivot at that end of the track. Tighten to the point it will not fall out of the track. Insert all the carriers. Insert snigger with the bumper towards the center of the track. Tighten to the point it will not fall out of the track.

B) Center Close

Install Top Pivot at the left end of the track. Tighten to the point it will not fall out of the track. Insert half of the carriers, then insert two sniggers back to back. Tighten to the point it will not fall out of the track. Insert the remaining carriers and the Top Pivot at the right end of the track and tighten to the point it will not fall out of the track

6. ALUMINUM TRACK

Mount the track with all components installed by placing the track in the recessed channel of the frame and attach provided installation screws. For inside mounts, leave out every other track screw. Installation screws will be set through the track, through the frame and into the opening.

7. MOUNT BOTTOM PIVOT(S)

Mount on the side frame or the window jamb, tight to the floor in line with indicator line on same side as top pivot. One way close will include one bottom pivot and center close will include two pivots.

8. HANG PIVOTING PANELS

First, insert the bottom pin into the bottom pivot bracket. Push the top door plate onto the adjustable nut of the top pivot. To plumb the panels, loosen the set nut on the top pivot. Move the panel until plumb then tighten set nut. The bottom pivot is also adjustable as needed.

9. HANG REMAINING PANELS

Hang panels from the pivoting panels and push remaining top door plates onto the adjustable nut of the wheel carriers. Lock the panels in place by rotating the plastic slide around the neck of each adjustable nut. Insert all hinge pins. Adjust the wheel carriers to level by using the enclosed wrench.

10. SNUGGERS

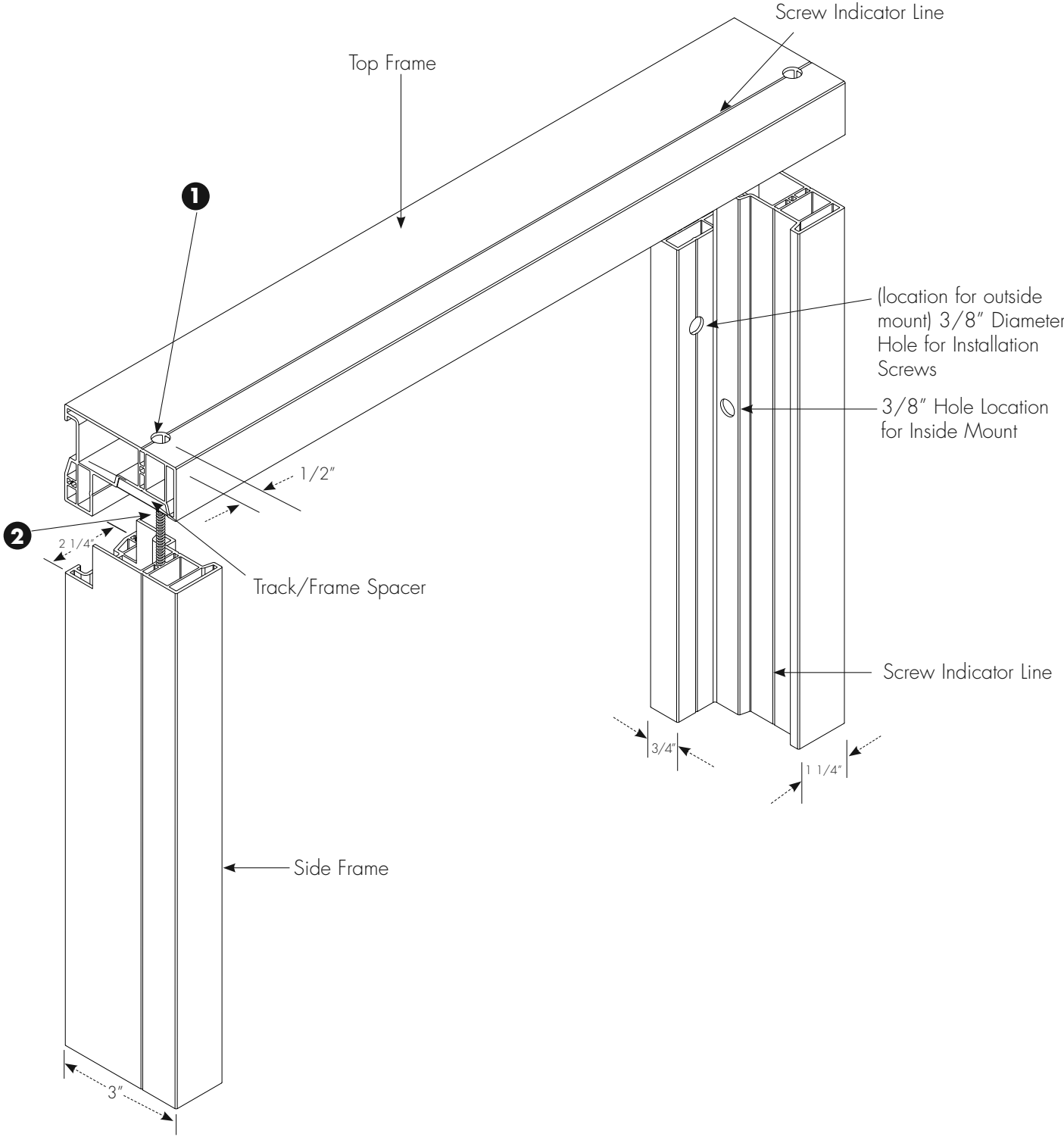
The sniggers are used to provide tension on Bi-Folding panels, so that the panels remain in position when closed. Once the panels are fully installed, loosen the set screw of the snigger and position so that the wheel carrier will slightly press against the rubber bumper.

11. ATTACH VALANCE

Attach valance brackets to the front of the frame using the included #6 x 3/4" screws, the installation holes should be pre-drilled. Once all brackets are secure, position the channel on the back of the valance so that it rests on the bracket. The valance will need to be on a 45° angle, with the bottom of the valance farther into the room. Rotate the valance down to a vertical orientation until locked into all brackets.

Diagram C - Frame Assembly

- 1 Insert the provided 3" screws through the top frame
- 2 Line up the screw through the screw ports inside the side frames (fasten tightly)



Bi-Folding Track System Shutter Diagrams

Diagram D

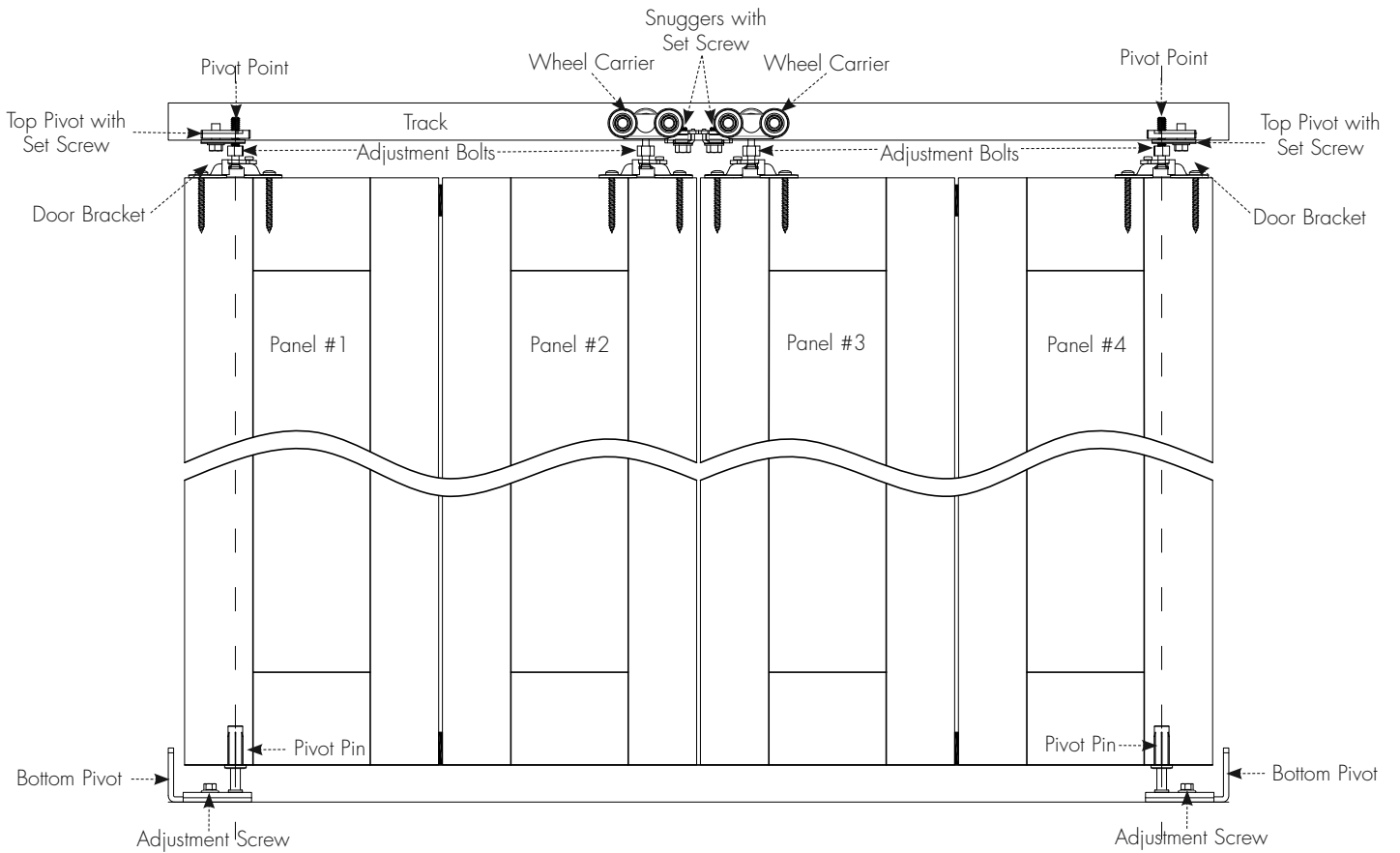
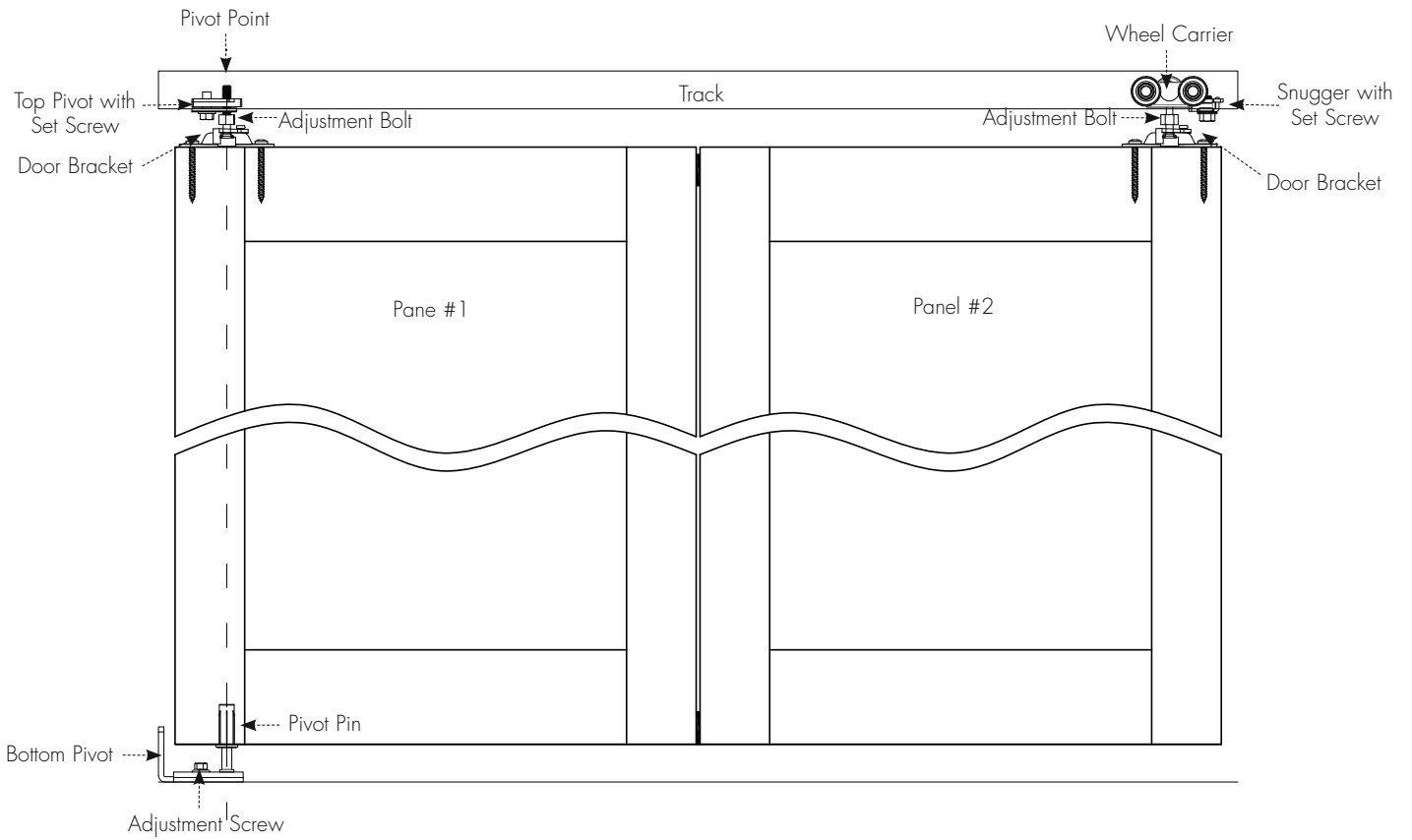
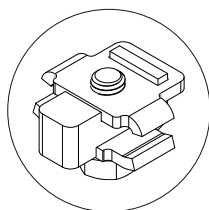
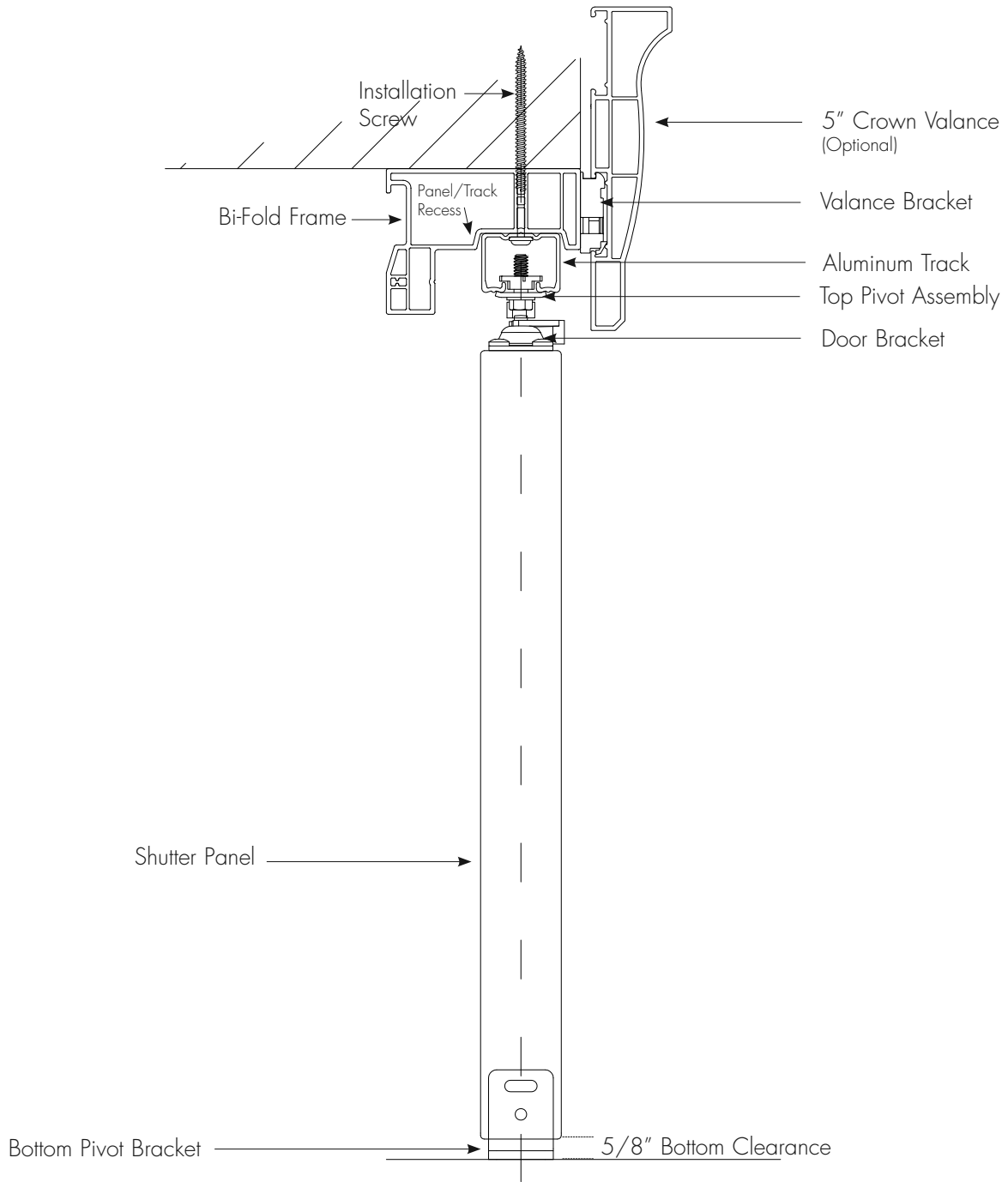
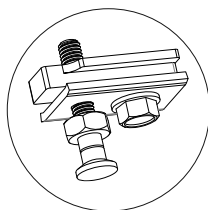


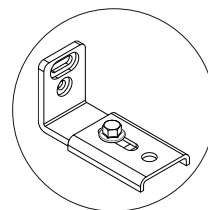
Diagram E - Inside Mount



Snugger



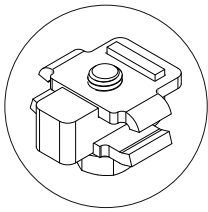
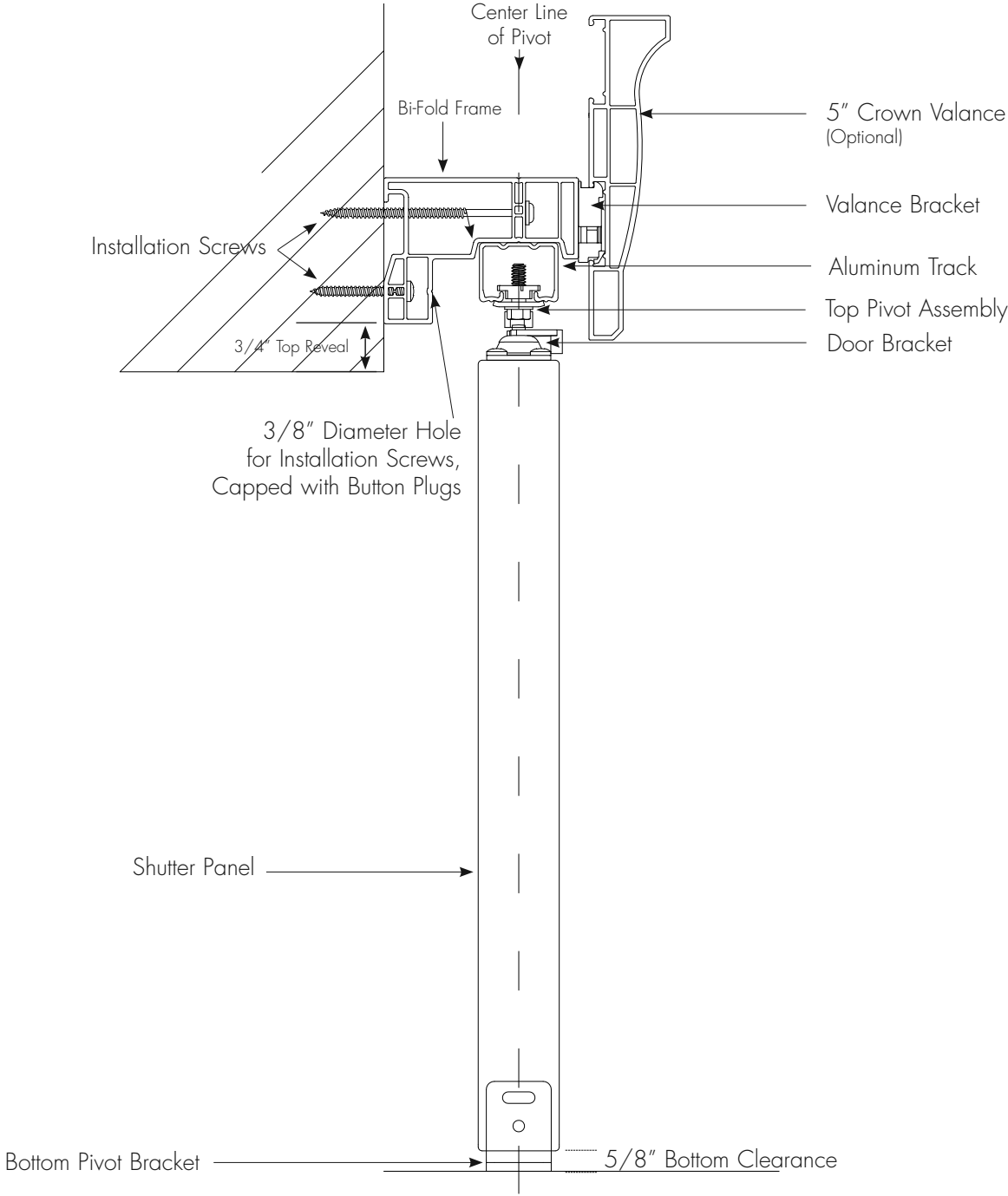
Top Pivot



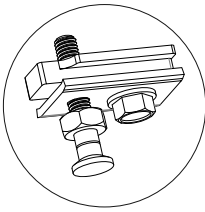
Bottom Pivot

Bi-Fold Installation Instructions

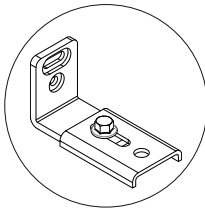
Diagram F - Outside Mount



Snigger



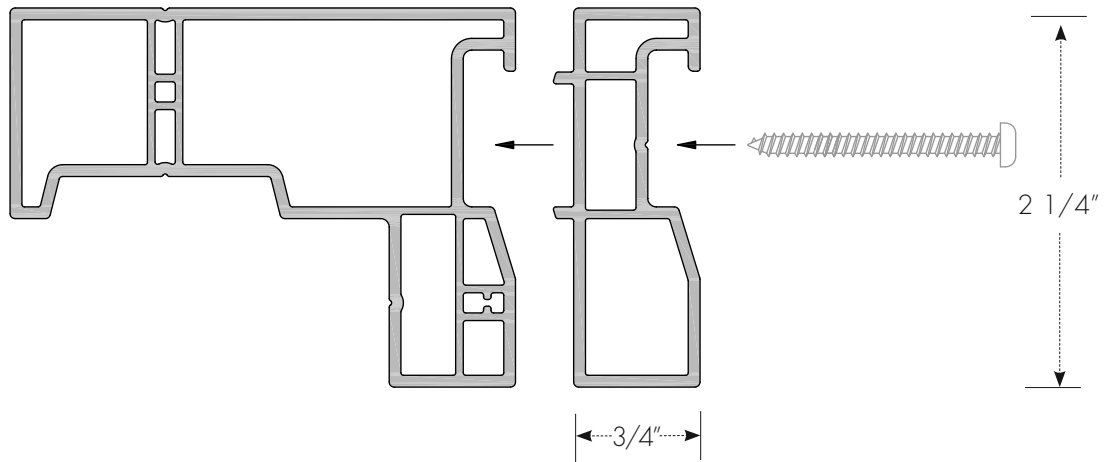
Top Pivot



Bottom Pivot

Diagram G - Frame Extension

Bi-Fold with Extension
Bi-Fold Frame Extension increases the projection of the frame by 3/4".



Orient the extension so that it mates with the back of the frame. Use an installation screw to attach the extension to the frame.