

1. FRAME ASSEMBLY

If this is a 2, 3 or 4 sided application, then refer to Diagram C (See page G9) for frame assembly instructions. Once the frames are assembled, installation holes are required by using a 3/8" drill bit.

A) For an inside mount, drill a 3/8" hole through the first layer of vinyl, within the mounting area every 10" starting at each end of the frames.

B) For an outside mount, drill a 3/8" hole through the first layer of vinyl at the front edge of the reveal of the frame every 10".

2. TOP FRAME INSTALLATION

A) For an inside mount, fasten the top frame to the opening, making sure it is level; shim to level if necessary.

B) For an outside mount, set the frame against the wall. Level the top and fasten the top frame to the wall with the provided installation screws.

3. WHEEL CARRIERS

Insert wheel carriers inside each aluminum track. Two carriers are assigned to each panel so check the panel configuration to determine the correct number of carriers in each track.

4. ALUMINUM TRACKS

Mount aluminum tracks to the extreme left of the opening of the frame by screwing through the pre-drilled holes in the track to the extrusion lines on the underside of the top frame (See Diagram D on page G9 and Diagram E on page G10).

5. ATTACH DOUBLE PANELS IF APPLICABLE

When two panels are to be attached, lay panels face up and side by side on the floor. Remove the two interior top jamb caps. Insert the panel joiner by sliding it into the two interior jambs (See Diagram I on G14). Place the jamb caps back onto the top jambs.

6. ATTACH OPTIONAL LIGHTBLOCK BETWEEN PANELS

For Standard By-pass, an optional 3/4" x 3/4" mounting strip is mounted at the back of the interior edge of each front panel. If requested, Open By-pass requires (2) pieces of vertical jamb. One piece of vertical jamb is mounted at the back of the interior edge of the front panel, while the second piece is mounted at the front interior edge of the rear panel. For either option, drill a 3/8" hole starting at the top, every 20" through the first two layers of vinyl. —————>

ATTACH OPTIONAL LIGHTBLOCK BETWEEN PANELS continued

Screw the mounting strip or the vertical jamb to the panel and cap holes with button plugs. Refer to page G15 for illustration.

Note: Mounting strips and vertical jambs are 1" shorter than the panels so that there is no interference with the floor guides.

Note: For Open By-pass shutters, only a gap of 7/8" will remain once mounting strips have been installed.

7. HANG SHUTTERS

Push the door plates onto the adjustable nut of the wheel carriers. Lock the panels in place by rotating the plastic slide around the neck of the wheel carrier adjustable nut. To level the panels, turn the adjustable nut of the wheel carrier with the provided wrench tool.

8. SECURE SIDE FRAMES IF APPLICABLE

Mount each side frame with the mounting screws provided so that the frames are plumb to the hanging panel. Cover the 3/8" holes with the button plugs.

9. ATTACH VALANCE IF APPLICABLE

Attach valance brackets to the front of the frame using the included #8 x 1" screws, the installation holes should be pre-drilled. Once all brackets are secure, position the channel on the back of the valance so that it rests on the bracket. The valance will need to be on a 45 degree angle, with the bottom of the valance farther into the room. Rotate the valance down to a vertical orientation until locked into all brackets.

10. OPTIONAL FLOOR GUIDE(S)

Install floor guide(s) in-between each set of moving panels. The guides prevent the doors from swinging forward into the room or back into the opening. Two sizes are available depending on type of by-pass.

Diagram C - Frame Assembly

- 1 Insert the provided 3" screws through the top frame
- 2 Line up the screw through the screw ports inside the side frames (fasten tightly)

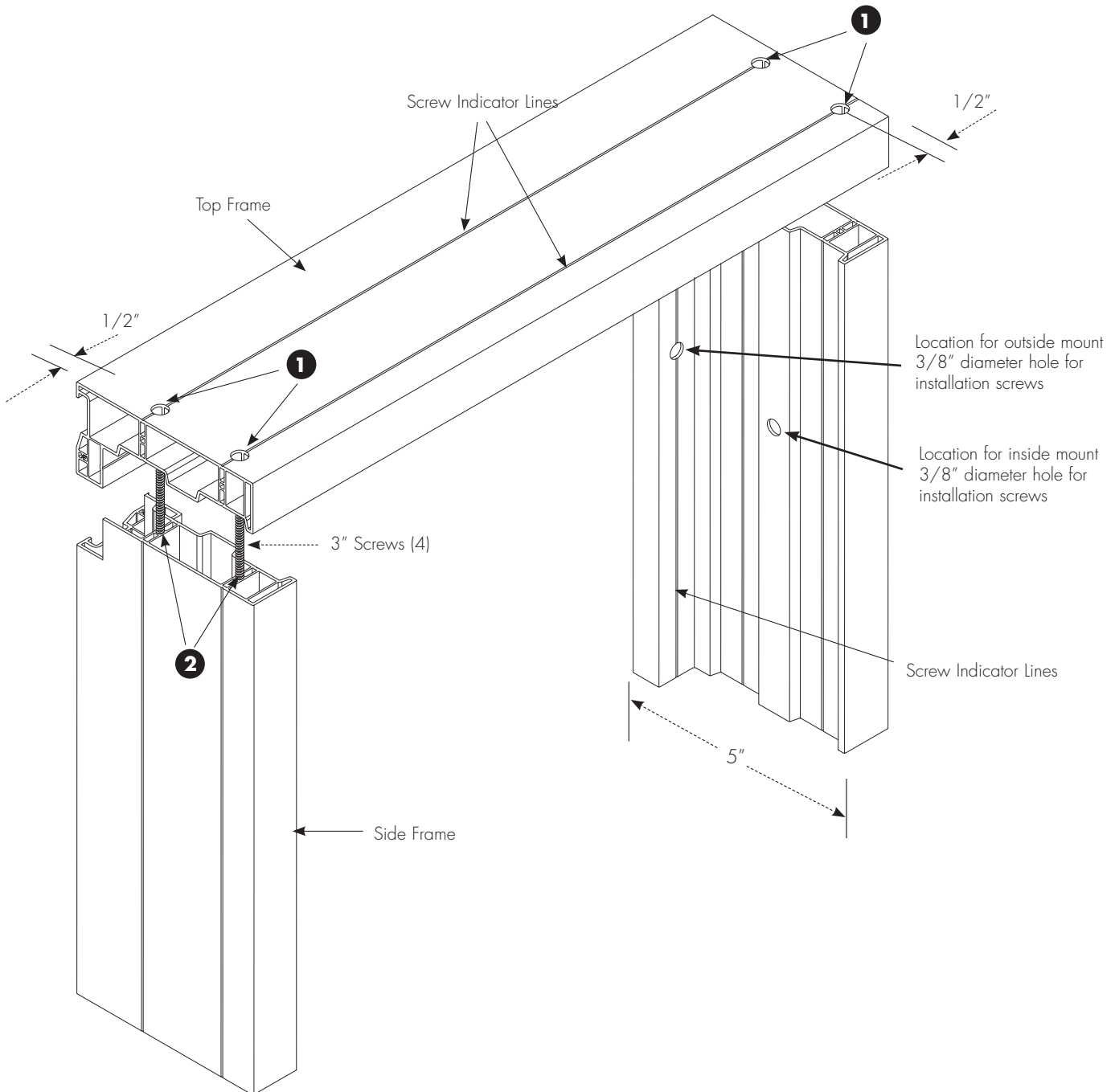
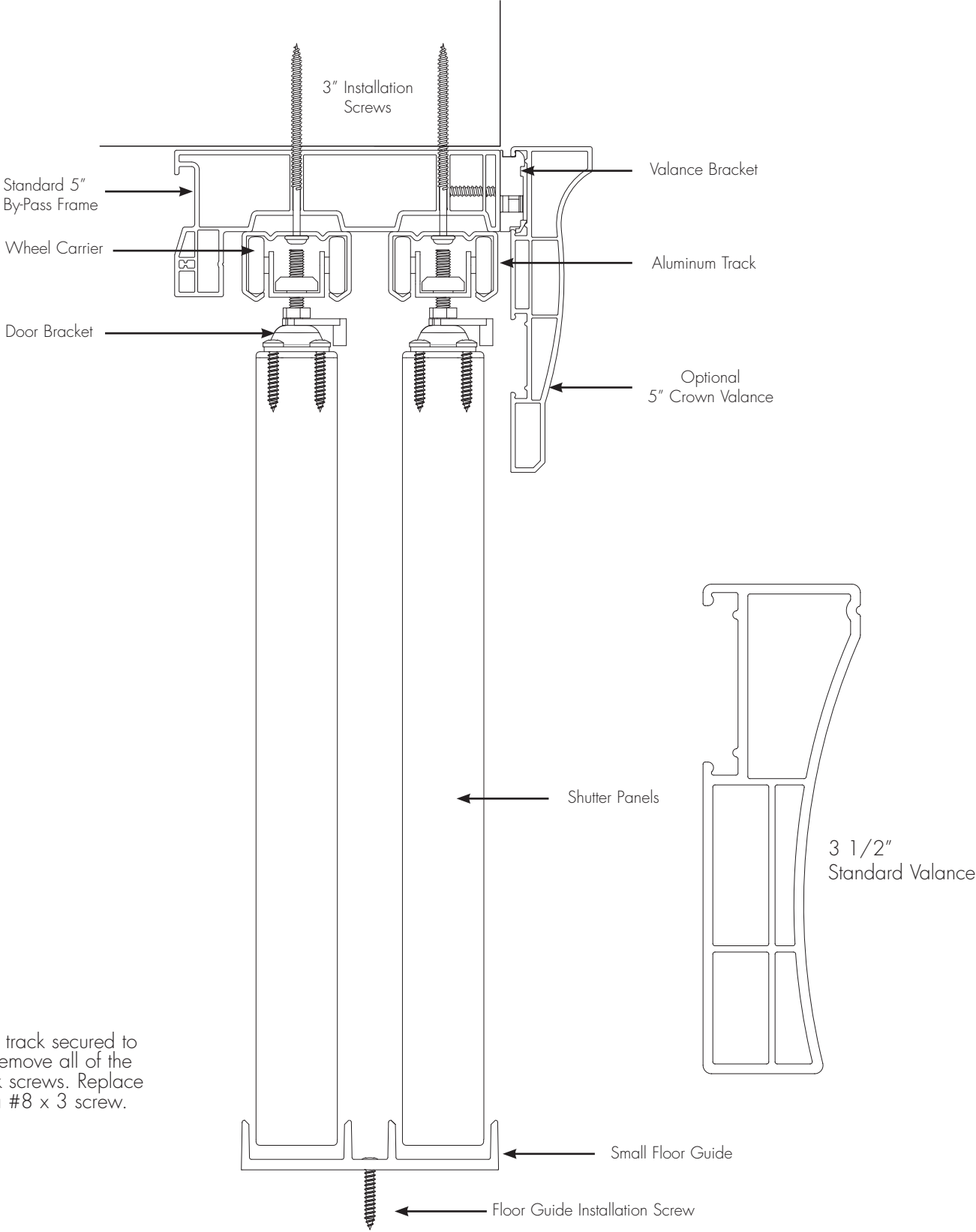
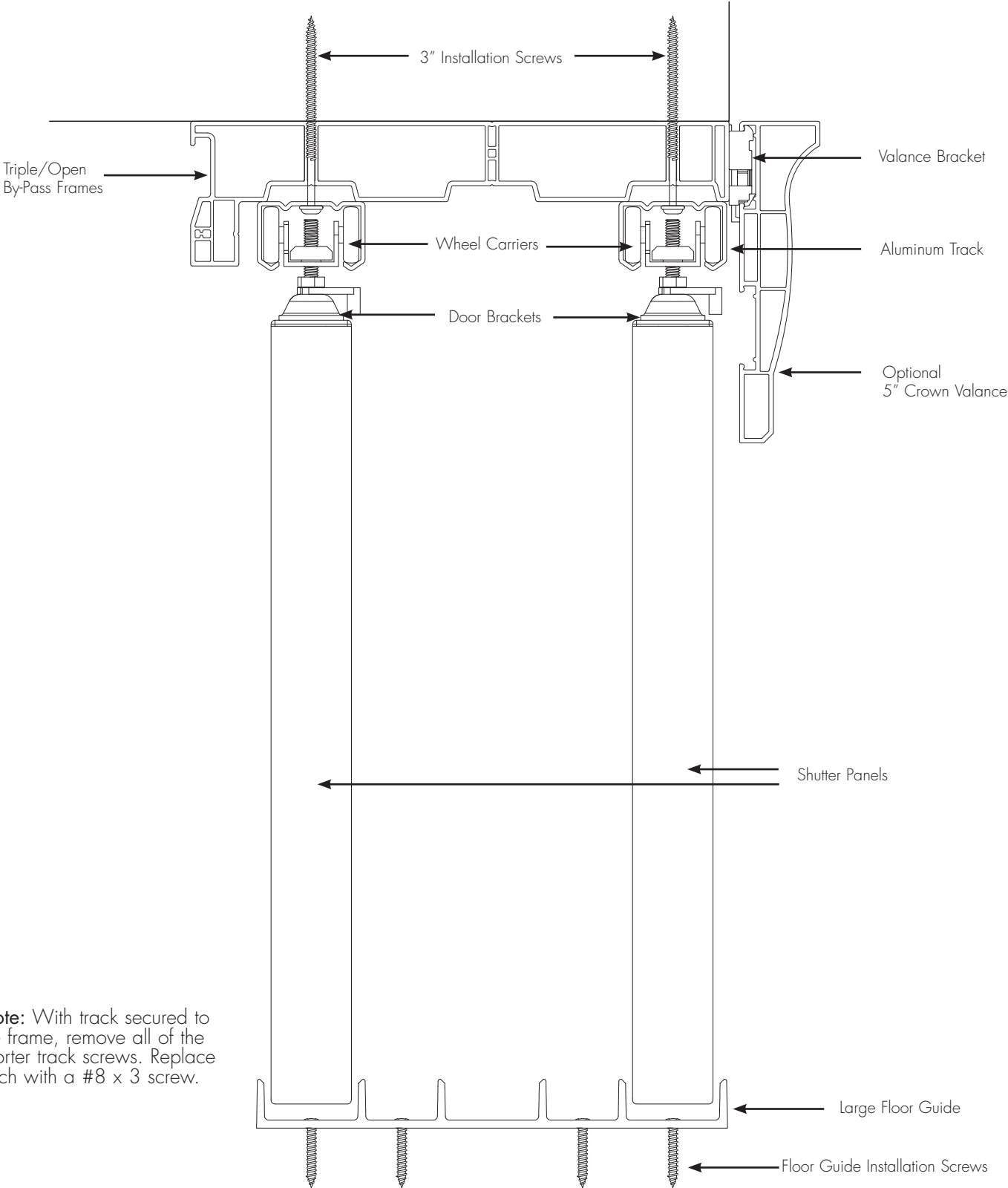


Diagram D - Inside Mount Application



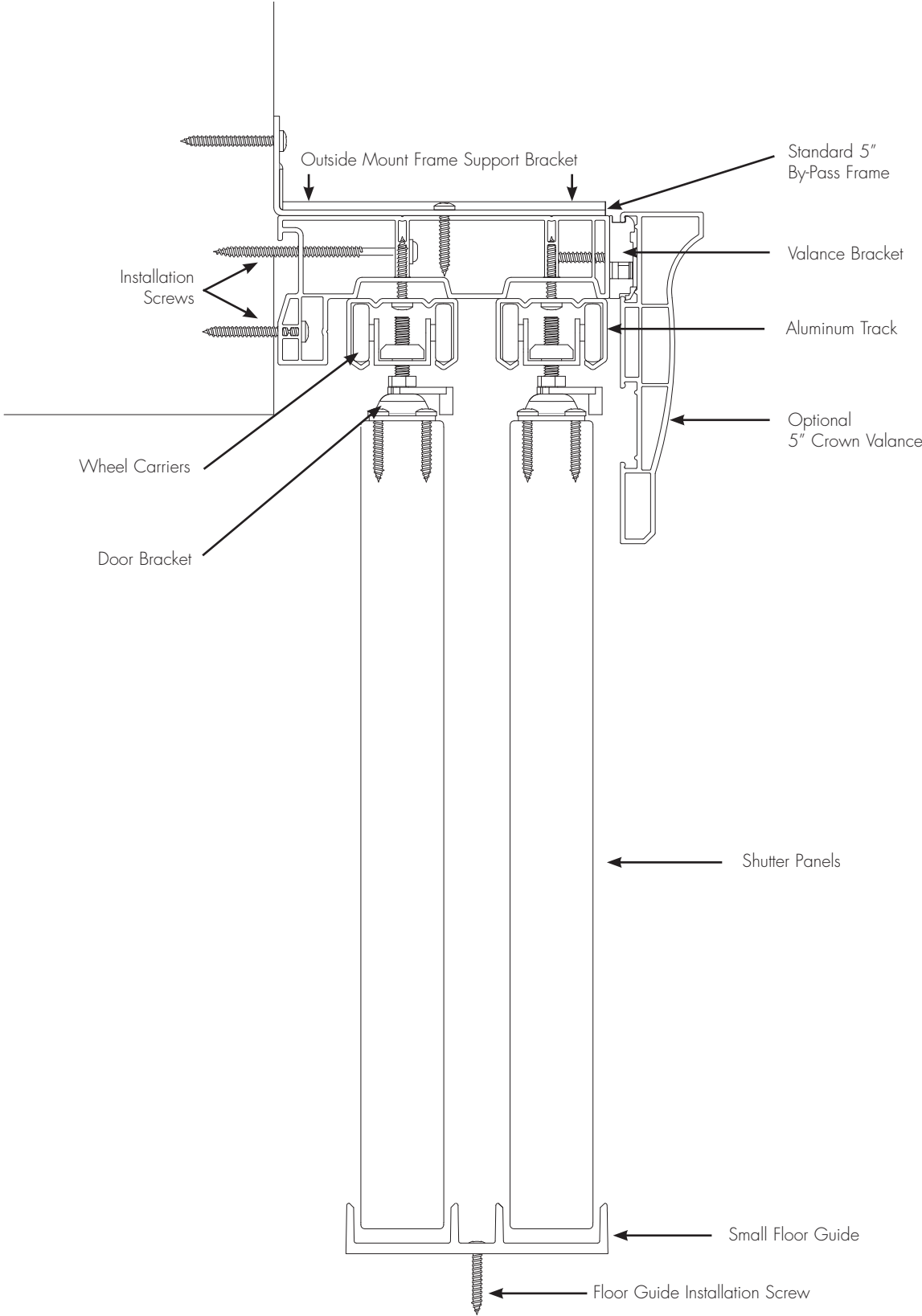
Note: With track secured to the frame, remove all of the shorter track screws. Replace each with a #8 x 3 screw.

Diagram E - Inside Mount Application



Note: With track secured to the frame, remove all of the shorter track screws. Replace each with a #8 x 3 screw.

Diagram F - Outside Mount Application



By-Pass Installation Instructions

Diagram G - Outside Mount Application

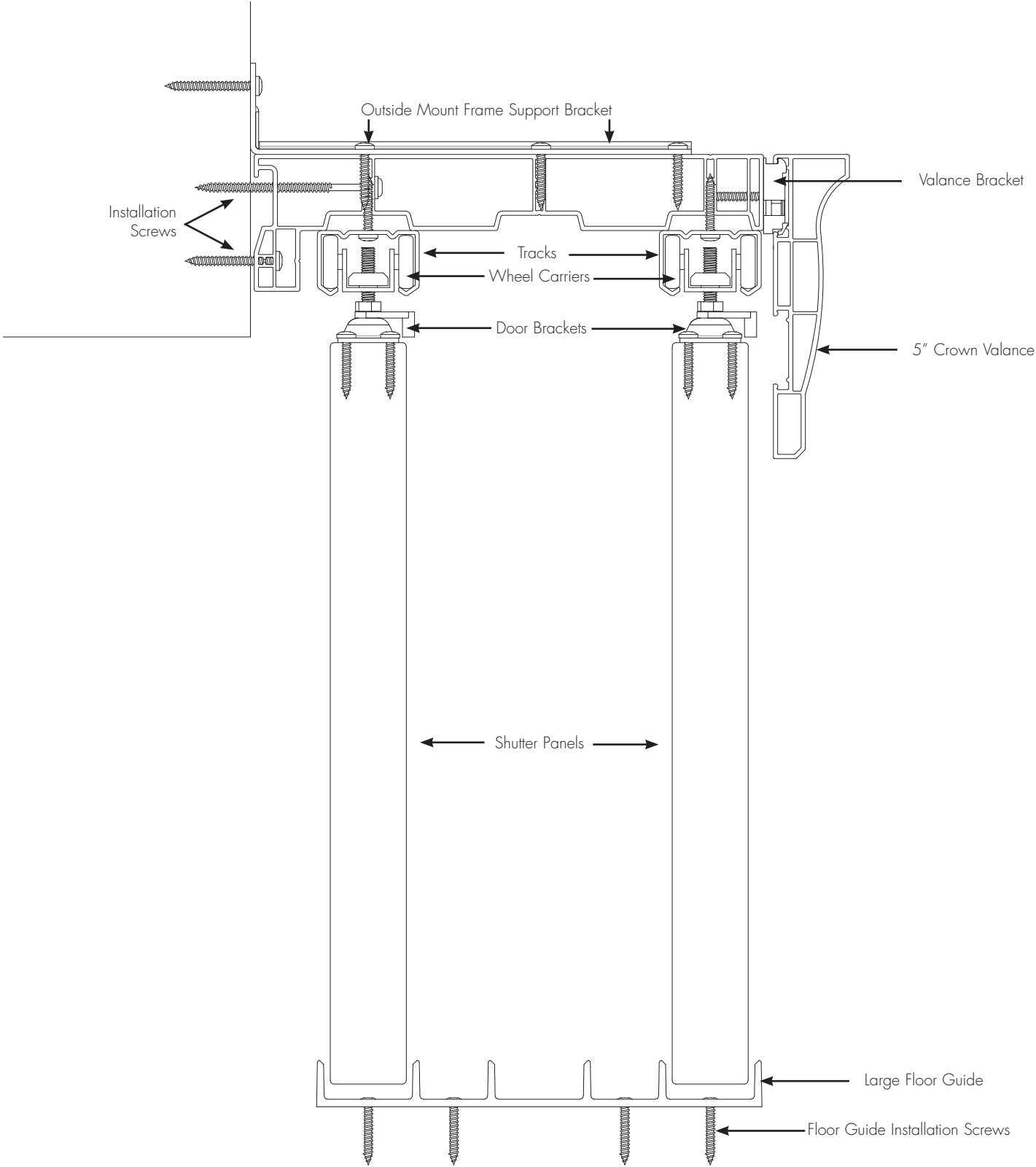


Diagram H - Frame Extension

- 1. The Track Frame Extension is used for By-Pass, Triple By-Pass and Bi-Fold frame systems.
- 2. Track Frame Extension increases the projection of the shutter by 3/4".
- 3. Orient the extension so that it mates with the back of the frame. Use an installation screw to attached the extension to the frame, as shown below

By-Pass Frame Extension increases the projection of the frame by 3/4".

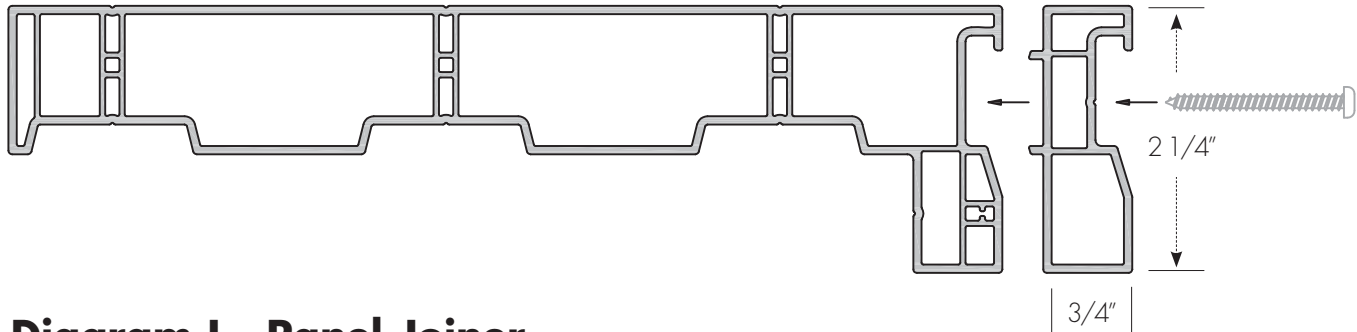
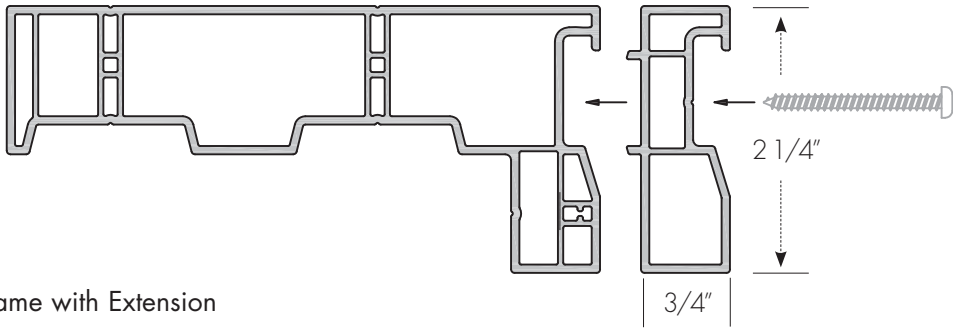
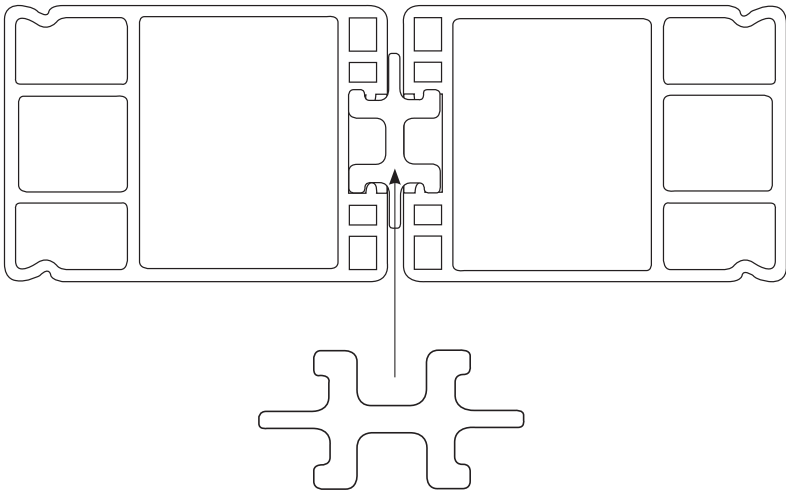


Diagram I - Panel Joiner

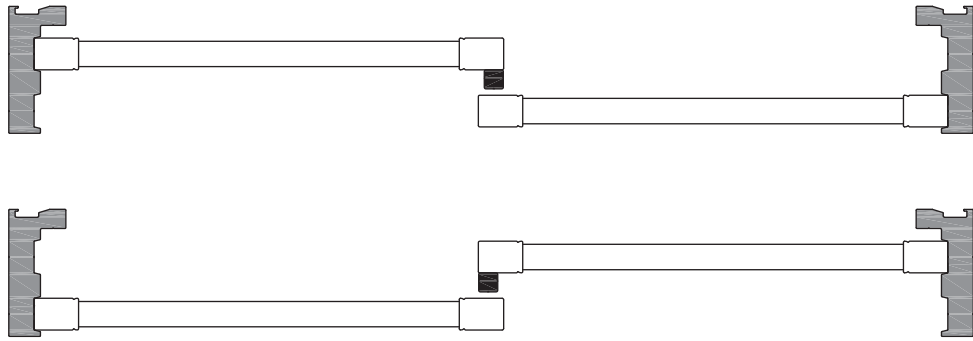


The panel joiner slides into the grooves on the side of the Vertical Jamb. This joiner connects two panels so that they move as a single unit in the opening.

By-Pass Installation Instructions

Diagram J - Light Block Between Panels

Standard or Triple By-Pass



Open By-Pass

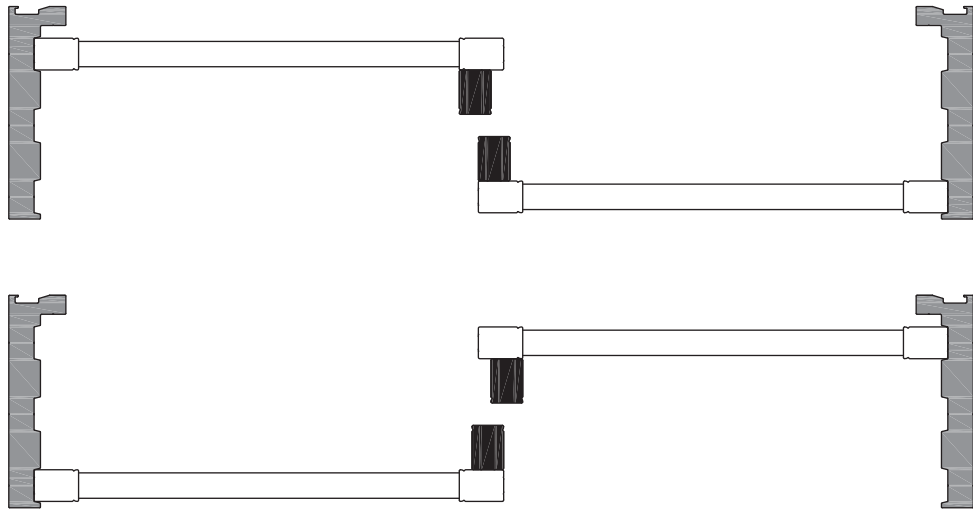


Diagram K - Assembly of Light Block Between Panels

Top view - assembly of light block between Open By-Pass panels

